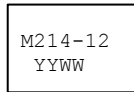


SPECIFICATION FOR CRYSTAL FILTER
MCF 21.4-12/02 (preliminary specification)

Number: 92 141
Drawing: 64 9513

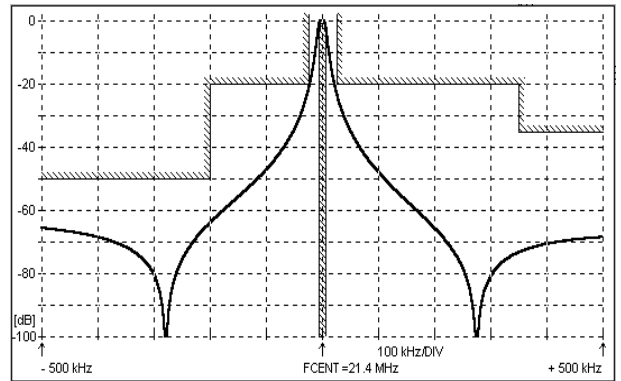
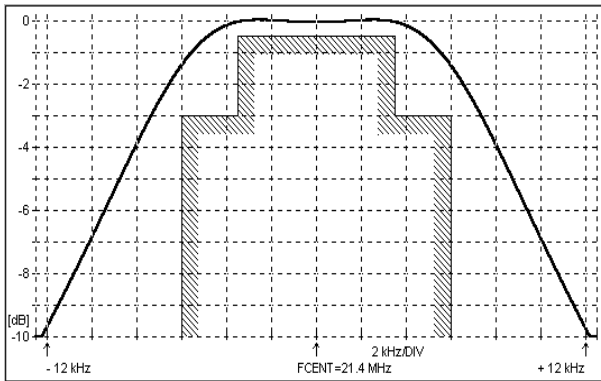
1. Electric values

- 1.0 Number of poles: 2
- 1.1 Nominal centre frequency fnom: 21 400 kHz
- 1.2 Bandwidth between 3 dB frequencies: $\geq \pm 6.0$ kHz
- 1.3 Ripple at fnom ± 3.5 kHz: ≤ 0.5 dB
- 1.4 Insertion loss: ≤ 1.5 dB
- 1.5 Stop band:
 - fnom ± 25 kHz: ≥ 20 dB
 - fnom + 350 kHz ... +1000 kHz: ≥ 30 dB
 - fnom - 200 kHz ... -1000 kHz: ≥ 50 dB
- 1.6 Alternate attenuation: ≥ 50 dB (except spurious)
- 1.7 Terminating impedance (input and output): 1200 Ohm // 3.0 pF
- 1.8 Maximum input power level (working / non-damaged): 0 / +16 dBm
- 1.9 Operating temperature range: - 20°C až + 70°C
- 1.10 Case: SMD 7 x 5 mm
- 1.11 Taping 3000 pcs. /reel maximum
- 1.12 Marking on the case :

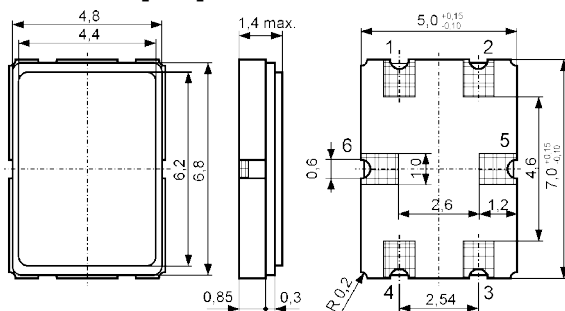


YY - year
WW - week

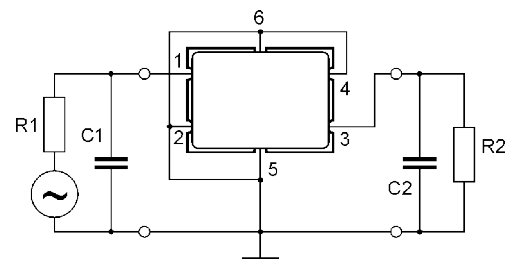
2. Characteristics MCF 21.4-12/02



Dimensions[mm]



Measurement Circuit



edited | 15.09.2009 | P.Jüngling