



**SPECIFICATION FOR CRYSTAL FILTER**  
**MCF 70.05-20/04** (preliminary specification)

**Number: 92 113**  
**Drawing: 64 9513**

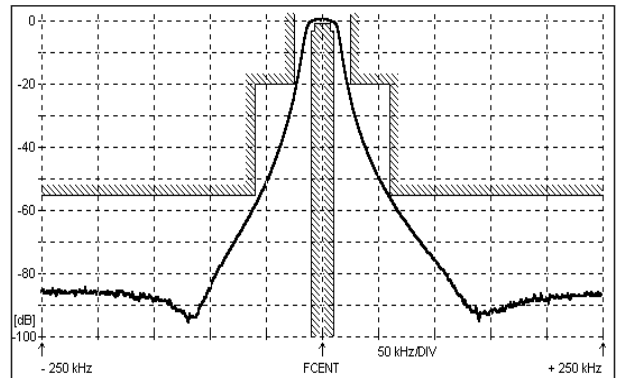
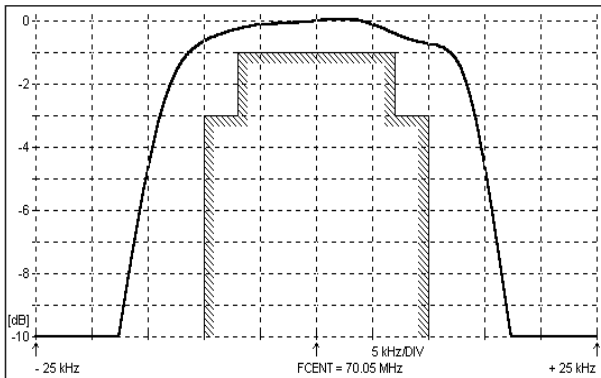
**1. Electric values**

- 1.0 Number of poles: 4, fundamental mode
- 1.1 Nominal centre frequency from: 70 050 kHz
- 1.2 Bandwidth between 3 dB frequencies:  $\geq \pm 10.0$  kHz
- 1.3 Ripple at from  $\pm 7$  kHz:  $\leq 1.0$  dB
- 1.4 Insertion loss:  $\leq 4.5$  dB
- 1.5 Stop band: ffrom  $\pm 25$  kHz:  $\geq 20$  dB  
ffrom  $\pm 60$  kHz:  $\geq 55$  dB
- 1.6 Spurious responses: ffrom + 100 kHz ... + 1000 kHz:  $\geq 35$  dB
- 1.7 Alternate attenuation: ffrom - 910 kHz:  $\geq 70$  dB (except spurious)
- 1.8 Terminating impedance Input and Output : 800 Ohm // 1.0 pF (TBD)  
Coupling capacitance: 5.0 pF (TBD)
- 1.9 Maximum input power level ( working / non-damaged ): -10 / 0 dBm
- 1.10 Intermodulation (-20 dBm, ffrom  $\pm 50, \pm 100$ kHz)  $\geq 90$  dB
- 1.11 Operating temperature range: - 20°C až + 70°C
- 1.12 Case: SMD 7 x 5 mm
- 1.13 Taping 3000 pcs. /reel maximum
- 1.14 Marking on the case : 

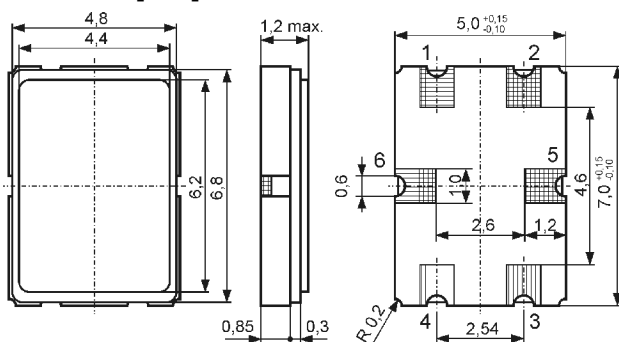
M7005A YYWW
----------------

 YY - year  
WW - week

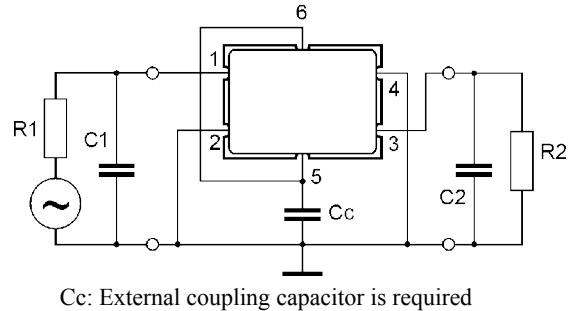
**2. Characteristics MCF 70.05-20/04**



**Dimensions[mm]**



**Measurement Circuit**



Cc: External coupling capacitor is required

edited	16.02.2009	P.Jüngling
--------	------------	------------