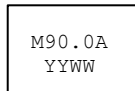


**SPECIFICATION FOR CRYSTAL FILTER**  
**MCF 90.0-7.0/01**

**Number: 92 160**  
**Drawing: 64 9513**

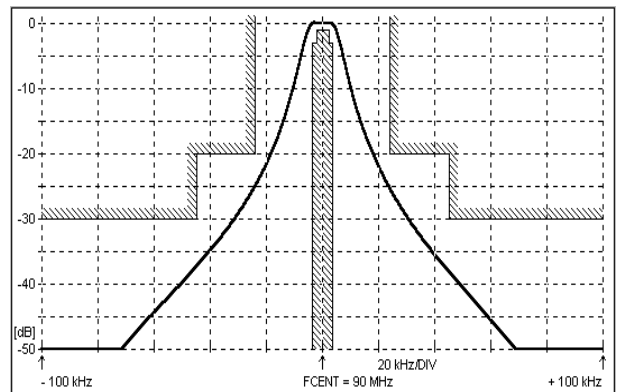
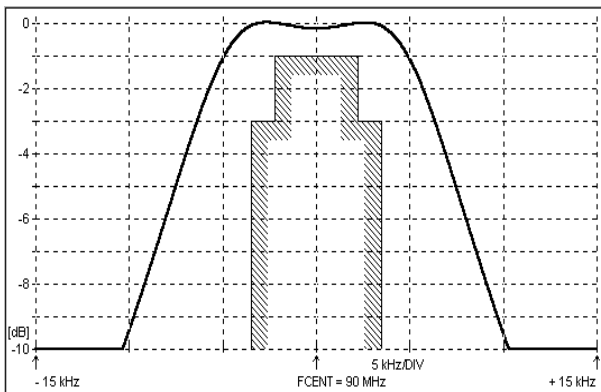
**1. Electric values**

- 1.0 Number of poles: 2
- 1.1 Nominal centre frequency from: 90 000 kHz
- 1.2 Bandwidth between 3 dB frequencies:  $\geq \pm 3.5$  kHz
- 1.3 Ripple at from  $\pm 2.2$  kHz:  $\leq 1.0$  dB
- 1.4 Insertion loss:  $\leq 4.0$  dB
- 1.5 Stop band: from  $\pm 24$  kHz:  $\geq 20$  dB  
from  $\pm 45$  kHz:  $\geq 30$  dB
- 1.6 Alternate attenuation: from  $\pm 1000$  kHz:  $\geq 40$  dB ( except spurious )
- 1.7 Terminating impedance ( input and output ): 1000 Ohm // +0.2 pF
- 1.8 Nominal input power level: 0 dBm  
Maximal input power level: +15 dBm
- 1.9 Operating temperature range:  $-33^{\circ}\text{C}$  až  $+70^{\circ}\text{C}$
- 1.10 Case: SMD 7 x 5 mm
- 1.11 Taping 3000 pcs. /reel maximum
- 1.12 Marking on the case :

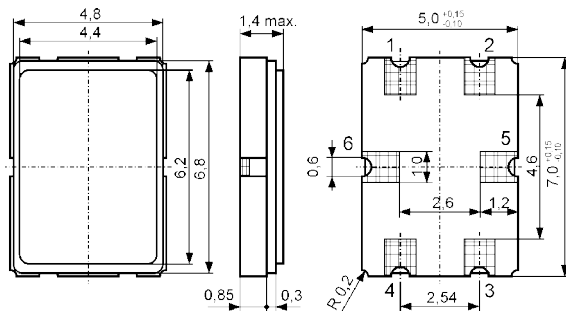


YY - year  
WW - week

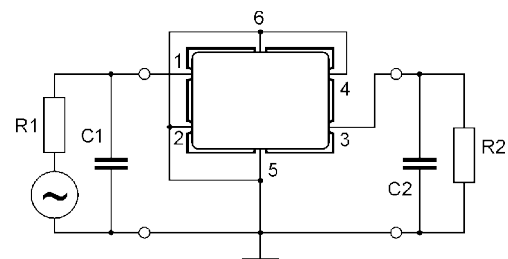
**2. Characteristics MCF 90.0-7.0/01**



**Dimensions[mm]**



**Measurement Circuit**



edited 24.05.2010 P.Jüngling