

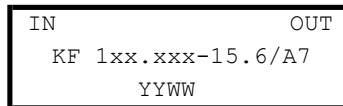
Front-end crystal filters
KF 118 MHz to 142 MHz-15.6/A7

Number: 99 007
Drawing: 71 0201

1. Electric values

- 1.0 Number of poles: 6
- 1.1 Nominal centre frequency f_{nom}: 118 000 ... 142 000 kHz (5 overtone)
- 1.2 Bandwidth between 3 dB frequencies: >± 7,8 kHz
- 1.3 Bandwidth between 6 dB frequencies: >± 10,0 kHz
- 1.4 Ripple (f_{nom} ± 5,0 kHz): < 1,5 dB
- 1.5 Insertion loss: < 7,0 dB
- 1.6 Stop band:
 - f_{nom} ± 25 kHz: ≥ 40 dB
 - f_{nom} ± 35 kHz ... ± 5 MHz: ≥ 60 dB
 - Ultimate attenuation: ≥ 60 dB
- 1.7 Spurious responses: f_{nom} +50kHz ... +2MHz. ≥ 50 dB
- 1.8 Terminating impedance: 50 Ohm // 0 pF
- 1.9 Maximum input power level (working / non-damaged): -10 / +10 dBm
- 1.10 Operating temperature range: -20°C ... + 70°C
Operable temperature range: -20°C ... + 80°C
Storage temperature range: -40°C ... + 90°C
- 1.11 Case: KA 7 (with SMB-male 60 x 25 x 20 mm)

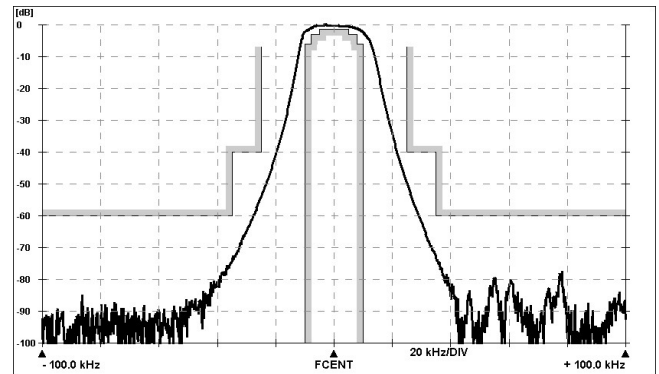
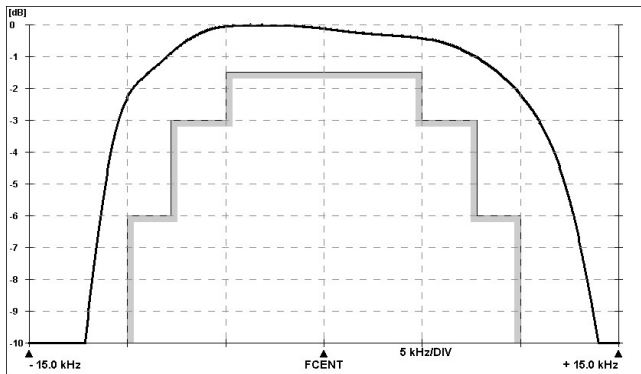
1.12 Marking on the case :



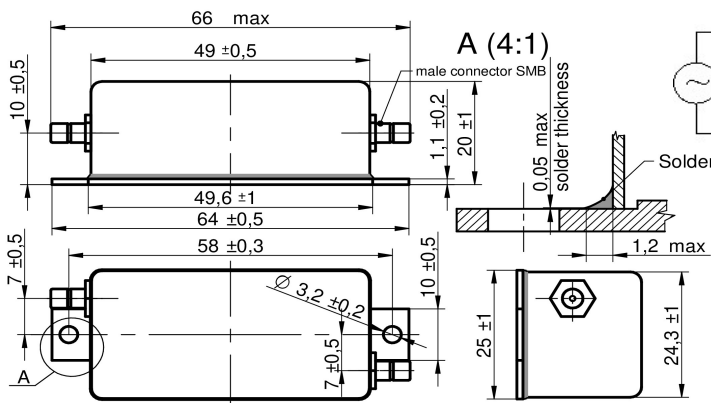
YY - year
WW – week (or customer's marking)

2. Characteristics

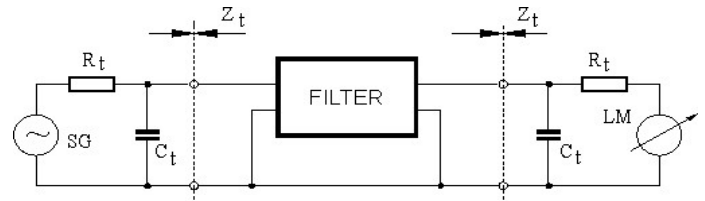
KF 118 MHz to 142 MHz-15.6/A7



Dimensions KA7
[mm]



Measurement Circuit



edited | 25.09.2020 | P.Jungling