

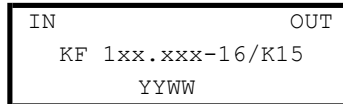
Front-end crystal filters  
KF 118 MHz to 142 MHz-16/K15

Number: 99 008  
Drawing: 71 0113

1. Electric values

- 1.0 Number of poles: 4
- 1.1 Nominal centre frequency f<sub>nom</sub>: 118 000 ... 142 000 kHz ( 5 overtone )
- 1.2 Bandwidth between 3 dB frequencies: >± 8,0 kHz
- 1.3 Ripple ( f<sub>nom</sub> ± 4,8 kHz): < 1,0 dB
- 1.4 Insertion loss: < 6,0 dB
- 1.5 Stop band:
  - f<sub>nom</sub> ± 25 kHz: ≥ 20 dB
  - f<sub>nom</sub> ± 45 kHz ... ± 5 MHz : ≥ 40 dB
- 1.6 Spurious response: f<sub>nom</sub> + 45 ... 3000 kHz: ≥ 20 dB
- 1.7 Terminating impedance: 50 Ohm // 0 pF
- 1.8 Maximum input power level ( working / non-damaged ): -10 / +10 dBm
- 1.9 Operating temperature range: -20°C ... + 60°C  
Operable temperature range: -20°C ... + 80°C  
Storage temperature range: -40°C ... + 90°C
- 1.10 Case: KF 15 ( 25.0 x 16.5 x 10.5 mm )

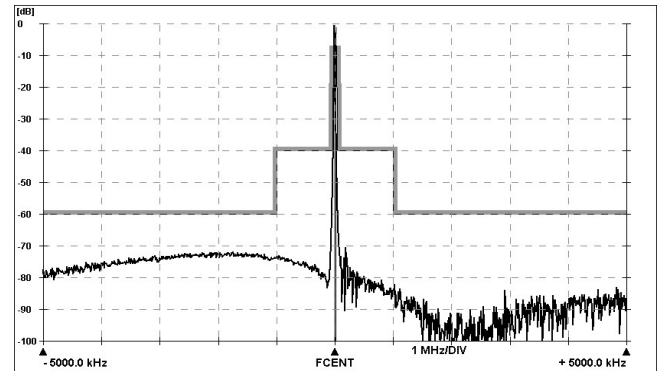
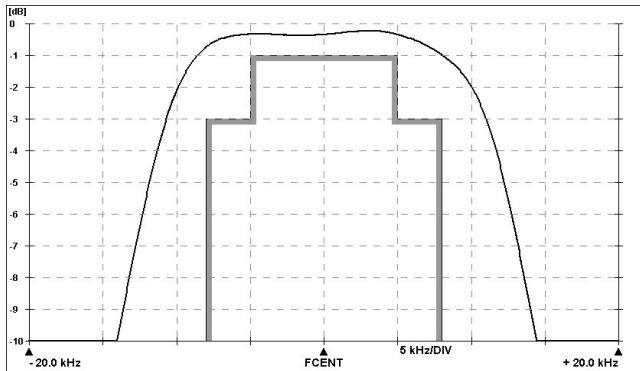
1.11 Marking on the case :



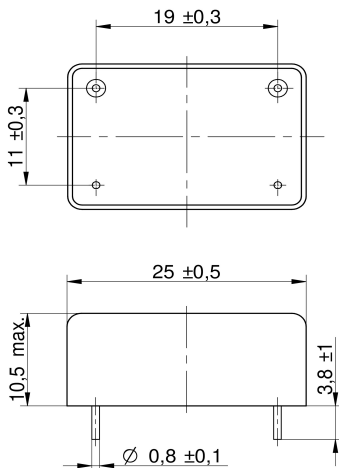
YY - year  
WW – week ( or customer's marking )

2. Characteristics

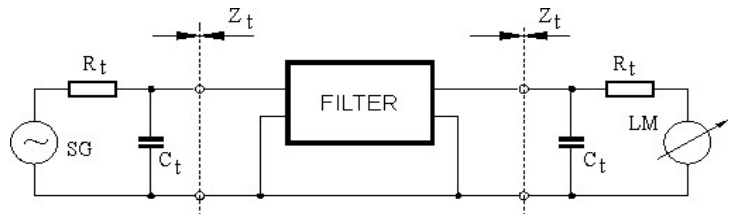
KF 118 MHz to 142 MHz-16/K15



Dimensions KF15  
[mm]



Measurement Circuit



edited 09.01.2020 P.Jungling