

SPECIFICATION FOR CRYSTAL FILTER MCF 8.165-3.0/18

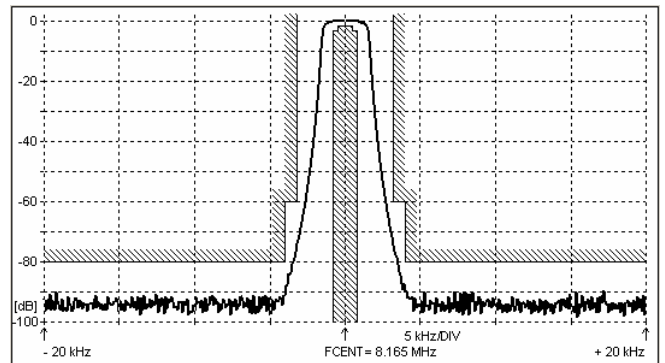
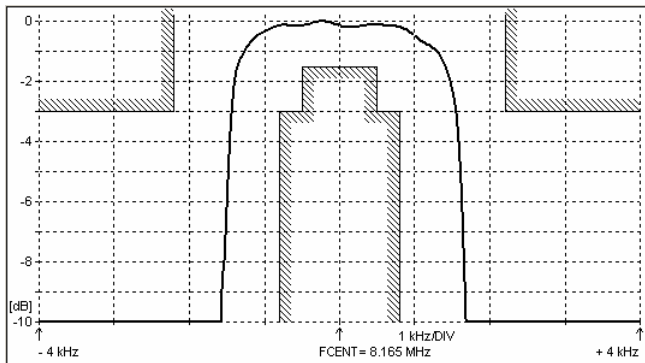
Number: 92 459
Drawing: 61 9580

1. Electric values

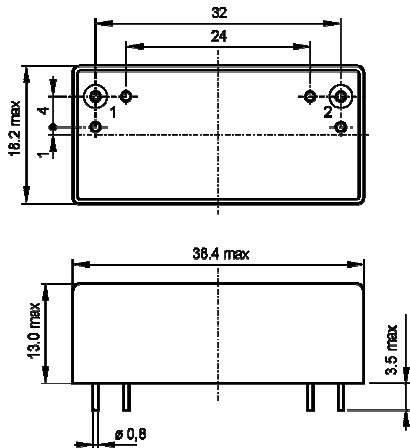
- 1.0 Number of poles : 8
- 1.1 Nominal centre frequency f_{nom} : 8.165 MHz
- 1.2 Centre frequency f_c : 8.165 MHz \pm 0.450 kHz
- 1.3 Bandwidth between 3 dB frequencies : 3.0 \pm 0.5 kHz
- 1.4 Ripple at $f_{nom} \pm 0.5$ kHz : \leq 1.5 dB
- 1.5 Insertion loss : \leq 4.0 dB
- 1.6 Stop band $f_{nom} \pm 3.2$ kHz : \geq 60 dB
 $f_{nom} \pm 4.0 \dots \pm 300$ kHz : \geq 80 dB
- 1.7 Terminating impedance (input and output) : 50 Ohm // 0 pF
- 1.8 Operating temperature range : -20°C to +70°C
- 1.9 Case : KF-17 (38.4 x 18.2 x 13.0 mm)
- 1.10 Marking on the case :

KRYSTALY HK
YYWW
8.165-3.0/18

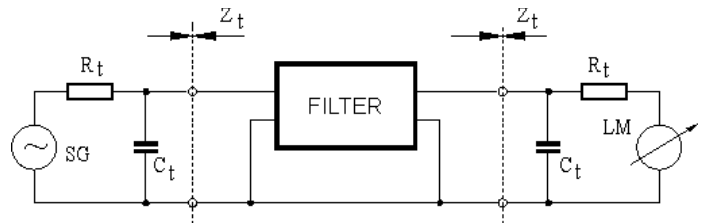
2. Characteristics MCF 8.165-3.0/18



Dimensions [mm] Case KF-17



Measurement Circuit



edited	17.07.2017	P. Seidl
--------	------------	----------