

SPECIFICATION FOR CRYSTAL FILTER MCF 9.0-15/08

Number: 92 782
Drawing: 61 9580

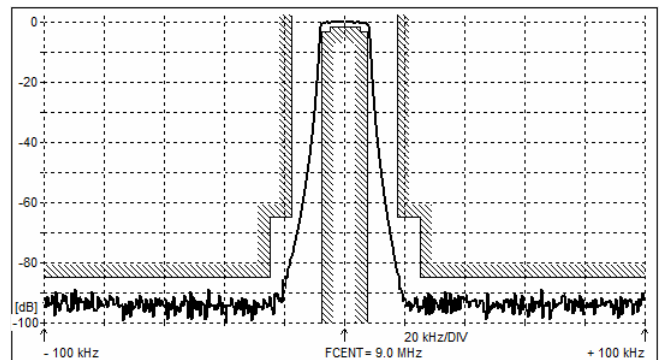
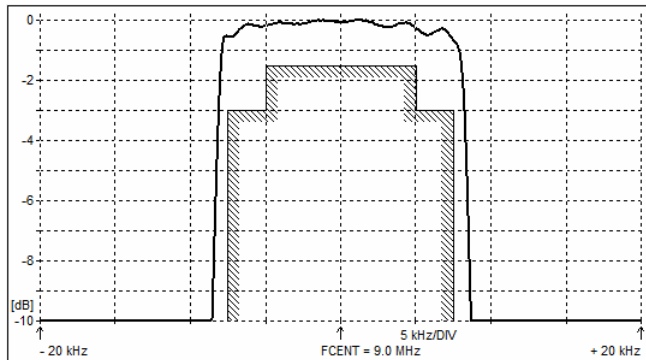
1. Electric values

- 1.0 Number of poles : 8
- 1.1 Nominal centre frequency f_{nom} : 9.0 MHz
- 1.2 Bandwidth between 3 dB frequencies : $\geq \pm 7.5$ kHz
- 1.3 Ripple at $f_{nom} \pm 5.0$ kHz : ≤ 1.5 dB
- 1.4 Insertion loss : ≤ 4.0 dB
- 1.5 Stop band $f_{nom} \pm 17.5$ kHz : ≥ 65 dB
- $f_{nom} \pm 25 \dots \pm 500$ kHz : ≥ 85 dB
- 1.6 Spurious : ≥ 65 dB
- 1.7 Terminating impedance (input and output) : 50 Ohm // 0 pF
- 1.8 Operating temperature range : -20°C to $+70^{\circ}\text{C}$
- 1.9 Case : KF-17 (38.4 x 18.2 x 13.0 mm)
- 1.10 Marking on the case :

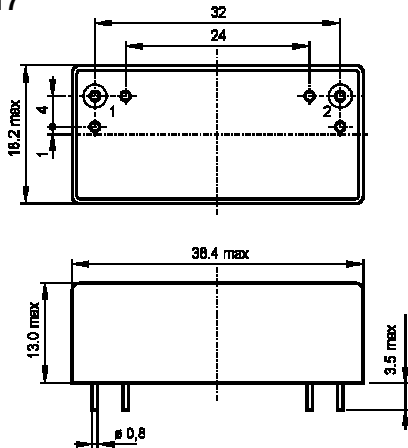
KRYSTALY HK
YYWW
9.0-15/08

YY = year
WW = week

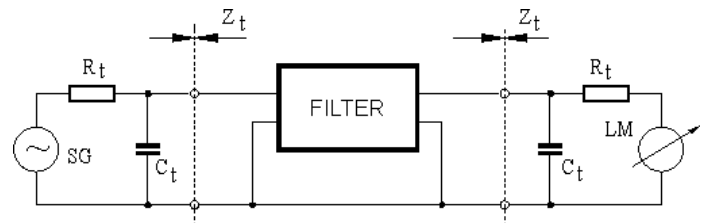
2. Characteristics MCF 9.0-15/08



Dimensions [mm] Case KF-17



Measurement Circuit



edited	31.03.2021	P. Seidl
--------	------------	----------