



SPECIFICATION FOR CRYSTAL FILTER MCF 10.7-22/06

Number: 92 352
Drawing: 61 9580

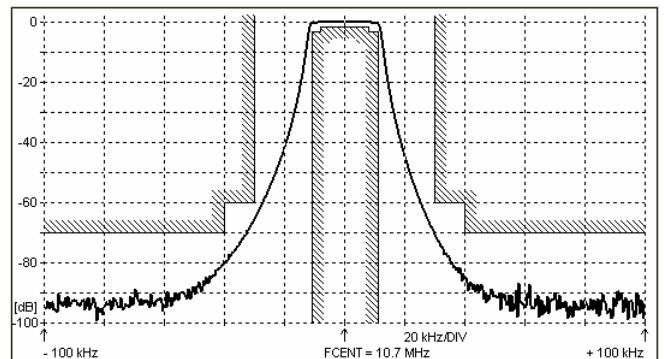
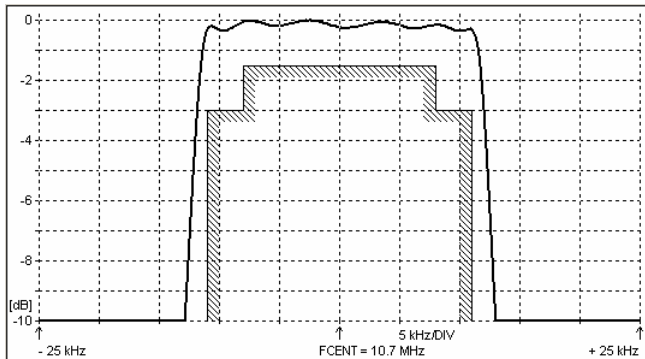
1. Electric values

- 1.0 Number of poles : 6
- 1.1 Nominal centre frequency f_{nom} : 10.7 MHz
- 1.2 Bandwidth between 3 dB frequencies : $\geq \pm 11.0$ kHz
- 1.3 Ripple at $f_{nom} \pm 8.0$ kHz : ≤ 1.5 dB
- 1.4 Insertion loss : ≤ 3.0 dB
- 1.5 Stop band $f_{nom} \pm 30$ kHz : ≥ 60 dB
- $f_{nom} \pm 40 \dots \pm 500$ kHz : ≥ 70 dB (except spurious)
- 1.6 Spurious responses : ≥ 60 dB
- 1.7 Terminating impedance (input and output) : 50 Ohm // 0 pF
- 1.8 Operating temperature range : -40°C to +85°C
- 1.9 Case : KF 17 (38.4 x 18.2 x 13.0 mm)
- 1.10 Marking on the case :

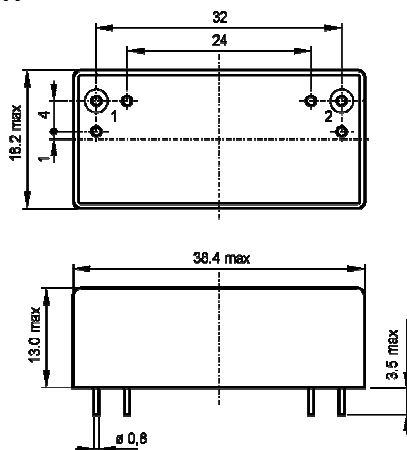
KRYSTALY HK YYWW
MCF 10.7-22/06

YY = year
WW = week

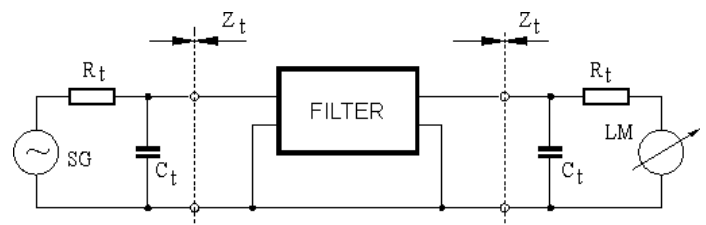
2. Characteristics MCF 10.7-22/06



Dimensions [mm] Case KF-17



Measurement Circuit



edited 13.05.2015 P. Seidl