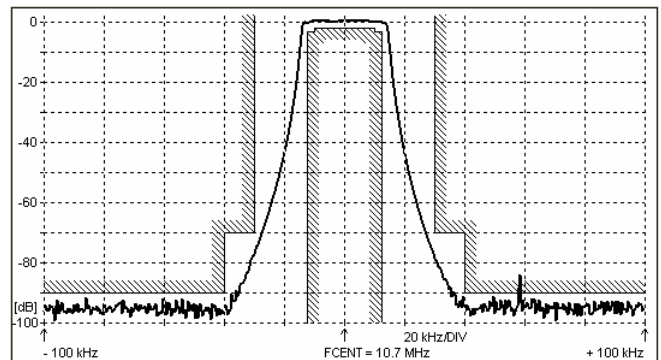
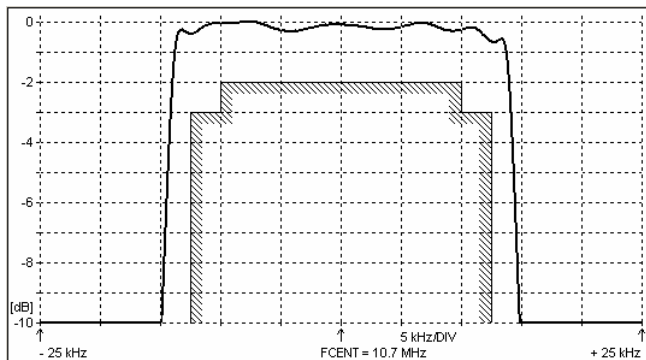
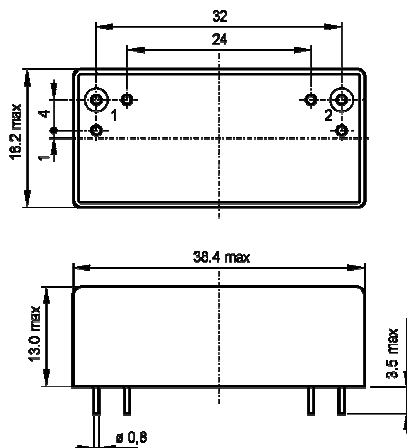
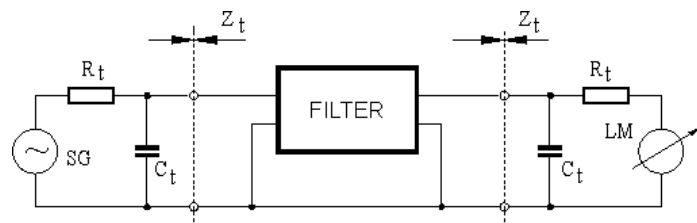


**SPECIFICATION FOR CRYSTAL FILTER**  
**MCF 10.7-25/18**Number: 92 052  
Drawing: 61 9580**1. Electric values**

1.0 Number of poles :	8
1.1 Nominal centre frequency $f_{nom}$ :	10.7 MHz
1.2 Bandwidth between 3 dB frequencies :	$\geq \pm 12.5$ kHz
1.3 Ripple at $f_{nom} \pm 10.0$ kHz :	$\leq 2.0$ dB
1.4 Insertion loss :	$\leq 3.5$ dB
1.5 Stop band $f_{nom} \pm 30$ kHz :	$\geq 70$ dB
$f_{nom} \pm 40 \dots \pm 500$ kHz :	$\geq 80$ dB
1.6 Spurious responses :	$\geq 60$ dB
1.7 Level linearity at levels from -40 to -10 dBm :	$\leq 0.1$ dB
1.8 Terminating impedance ( input and output ) :	50 Ohm // 0 pF
1.9 Operating temperature range :	-20°C to +70°C
1.10 Case :	KF 17 (38.4 x 18.2 x 13.0 mm)
1.11 Marking on the case :	YY = year WW = week

KRYSTALY CZ YYWW MCF 10.7-25/18
------------------------------------

**2. Characteristics MCF 10.7-25/18****Dimensions [mm]**  
**Case KF-17****Measurement Circuit**

edited | 20.12.2012 | P. Seidl