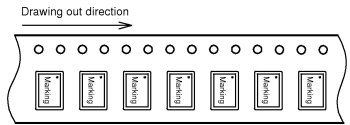


**SPECIFICATION FOR CRYSTAL FILTER**  
**MCF 204.8-8.0/02**

**Number: 92 254**  
**Drawing: 64 9513**

**1. Electric values**

- |  |                             |
|--|-----------------------------|
| 1.0 Number of poles:                                     | 2                           |
| 1.1 Nominal centre frequency f <sub>nom</sub> :          | 204 800 kHz ( 5. overtone)  |
| 1.2 Bandwidth between 3 dB frequencies:                  | ≥ ± 4.0 kHz                 |
| 1.3 Ripple at f <sub>nom</sub> ± 2.0 kHz:                | ≤ 1.5 dB                    |
| 1.4 Insertion loss:                                      | ≤ 6.0 dB                    |
| 1.5 Stop band:     f <sub>nom</sub> ± 42 kHz:            | ≥ 20 dB                     |
| f <sub>nom</sub> ± 80 kHz:                               | ≥ 30 dB                     |
| f <sub>nom</sub> - 140 kHz ... -5000 kHz:                | ≥ 40 dB                     |
| 1.6 Alternate attenuation f <sub>nom</sub> ± 2000 kHz:   | ≥ 40 dB ( except spurious ) |
| 1.7 Terminating impedance ( input and output ):          | 600 Ohm // -0.8 pF          |
| 1.8 Maximum input power level ( working / non-damaged ): | -10 / +10 dBm               |
| 1.9 Operating temperature range:                         | -20°C ... + 70°C            |
| 1.10 Case:   | SMD 7 x 5 mm                |
| 1.11 Taping 1000 pcs. /reel maximum                      |                             |

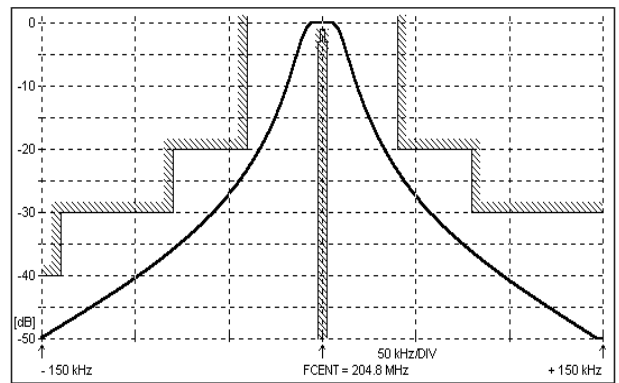
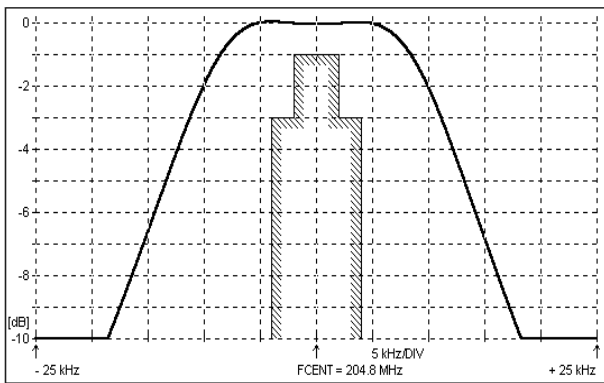


1.12 Marking on the case : 

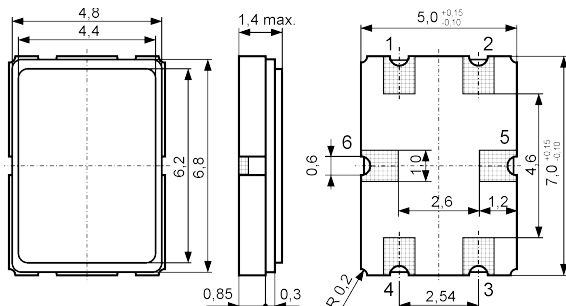
 204-8B  
 YYWW

YY – year  
 WW – week  
 ( or customer's marking )

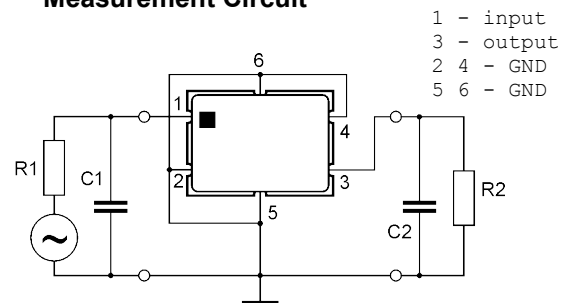
**2. Characteristics MCF 204.8-8.0/02**



**Dimensions[mm]**



**Measurement Circuit**



edited
29.10.2014
P.Jungling