

SPECIFICATION FOR CRYSTAL FILTER
MCF 21.4-12/06

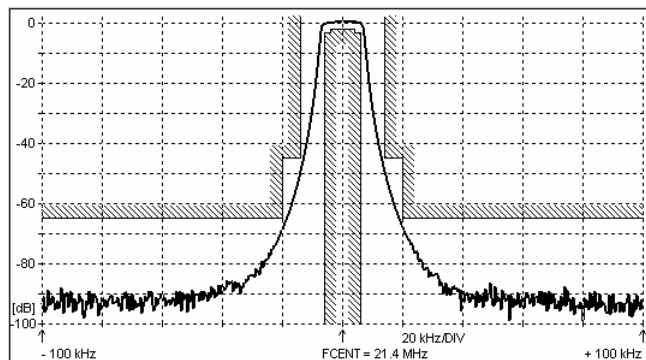
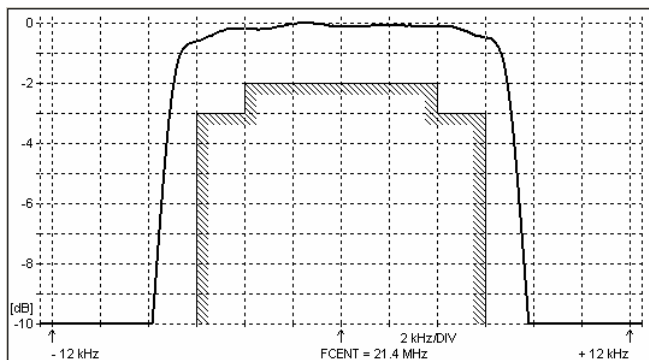
Number: 92 306
Drawing: 61 9579

1. Electric values

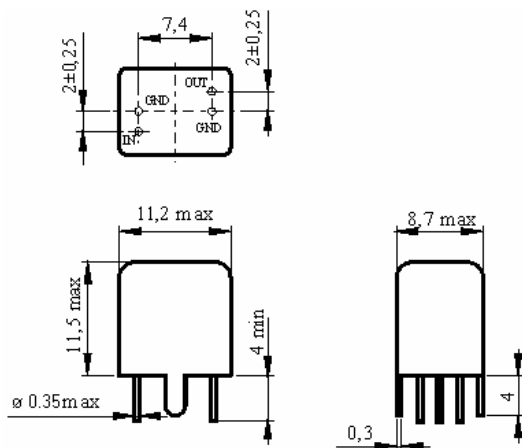
1.0 Number of poles :	6
1.1 Nominal centre frequency f_{nom} :	21.4 MHz
1.2 Bandwidth between 3 dB frequencies :	$\geq \pm 6.0$ kHz
1.3 Ripple at $f_{nom} \pm 4.0$ kHz :	≤ 2.0 dB
1.4 Insertion loss :	≤ 2.5 dB
1.5 Stop band: $f_{nom} \pm 14$ kHz :	≥ 45 dB
$f_{nom} \pm 20 \dots \pm 300$ kHz :	≥ 65 dB
1.6 Terminating impedance (input and output) :	1200 Ohm // 2.5 pF
1.7 Operating temperature range :	-20°C to +70°C
1.8 Case :	KV 2.1 (11.2 x 8.7 x 11.5 mm)
1.9 Marking on the case :	YY = year WW = week

KRYSTALY CZ YYWW 21.4-12/06

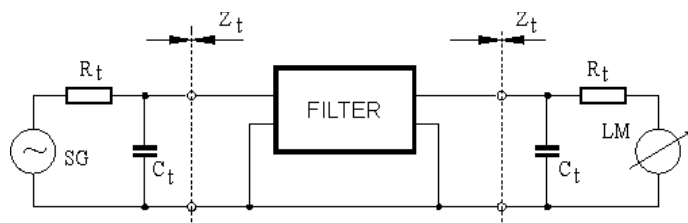
2. Characteristics MCF 21.4-12/06



Dimensions [mm]
Case KV 2.1



Measurement Circuit



edited	30.10.2013	P. Seidl
--------	------------	----------