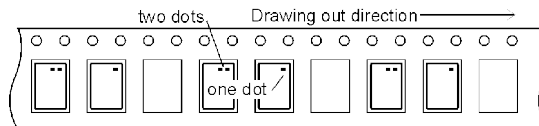


SPECIFICATION FOR CRYSTAL FILTER
MCF 21.4-40/13

Number: 92 045
Drawing: 64 9513

1. Electric values

- 1.0 Number of poles: 4
- 1.1 Nominal centre frequency f_{nom}: 21 400 kHz
- 1.2 Bandwidth between 3 dB frequencies: ≥± 20 kHz
- 1.3 Ripple at f_{nom} ± 16 kHz: ≤ 1.0 dB
- 1.4 Insertion loss: ≤ 4.0 dB
- 1.5 Stop band: from ± 67.5 kHz: ≥ 40 dB
 from ± 120 kHz: ≥ 60 dB
- 1.6 Spurious responses allowed in the range (f_{nom} + 67.5 kHz ...+ 500 kHz)
- 1.7 Terminating impedance (input and output): 4000 Ohm // -0.3 pF
 Coupling capacitance C_c: +0.7 pF
- 1.8 Operating temperature range: - 40°C až + 85°C
- 1.9 Case: 2 x SMD 7 x 5 mm
- 1.10 Taping 1000 pcs. /reel maximum

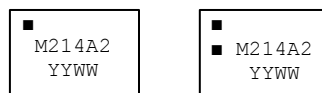


2. Environment conditions

- 2.1 Vibration according to IEC68-2-29, test FC - frequency range (amplitude 0,7 mm): 10 Hz - 55 Hz
 - acceleration :49,05 m/s², duration :0,5 hours
- 2.2 Shock according to IEC 68-2-27, test Fa -number of directions : 3, peak acceleration : 490,5 m/s²
 - duration of the nominal pulse: 1 ms, number of shocks: 3
- 2.3 Humidity test Db 40 according to IEC 68-2-30: 21 cycles
- 2.4 Aging: - 1000 hours at +70°C ±3°C

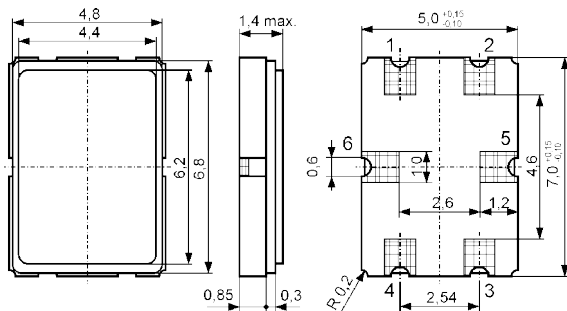
3. Others

3.1 Marking on the case :

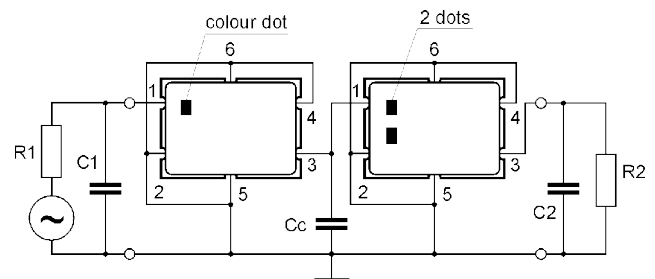


YY - year
 WW – week

Dimensions[mm]



Measurement circuit



	Date	Name
edited	5.3.2009	P.Jüngling