



SPECIFICATION FOR CRYSTAL FILTER
MCF 29.25-16/01

Number: 92 064
Drawing: 64 9513

1. Electric values

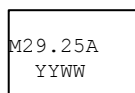
- 1.0 Number of poles: 2
- 1.1 Nominal centre frequency from: 29 250 kHz
- 1.2 Bandwidth between 3 dB frequencies: $\geq \pm 8.0$ kHz
- 1.3 Ripple in pass band at from ± 5.0 kHz: ≤ 1.0 dB
- 1.4 Insertion loss: ≤ 3.0 dB
- 1.5 Stop band: from ± 30 kHz: ≥ 18 dB
- 1.6 Alternate attenuation: ≥ 45 dB (except spurious)
- 1.7 Terminating impedance (input and output): 700 Ohm // +5.0 pF
- 1.8 Input power level (working / non-damaged) : -5 dBm / +10 dBm
- 1.9 Operating temperature range: - 40°C až + 85°C
- 1.10 Case: SMD 7 x 5 mm
- 1.11 Taping 3000 pcs. /reel maximum

2. Environment conditions

- 2.1 Vibration according to IEC68-2-29, test FC - frequency range (amplitude 0,7 mm): 10 Hz - 55 Hz
 - acceleration :49,05 m/s², duration :0,5 hours
- 2.2 Shock according to IEC 68-2-27, test Fa -number of directions : 3, peak acceleration : 490,5 m/s²
 - duration of the nominal pulse: 1 ms, number of shocks: 3
- 2.3 Humidity test Db 40 according to IEC 68-2-30: 21 cycles
- 2.4 Aging: - 1000 hours at +70°C ± 3 °C

3. Others

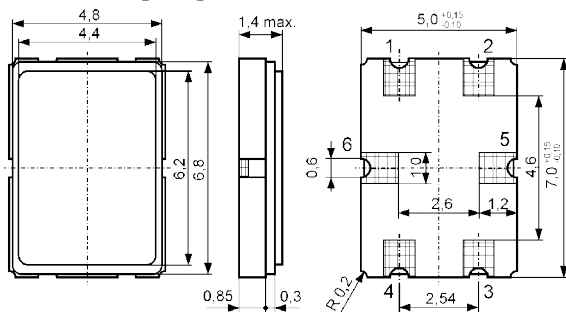
3.1 Marking on the case :



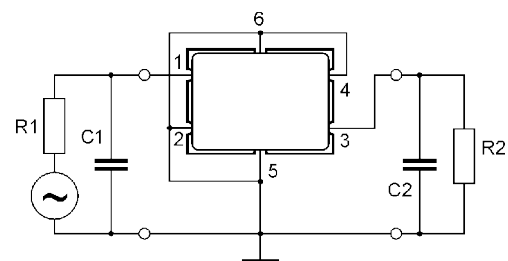
YY - year

WW – week

Dimensions[mm]



Measurement Circuit



	Date	Name
edited	25.10.2007	P.Jüngling