

**SPECIFICATION FOR CRYSTAL FILTER**  
**MCF 35.25-22/03** (preliminary specification)

**Number: 92 136**  
**Drawing: 64 9513**

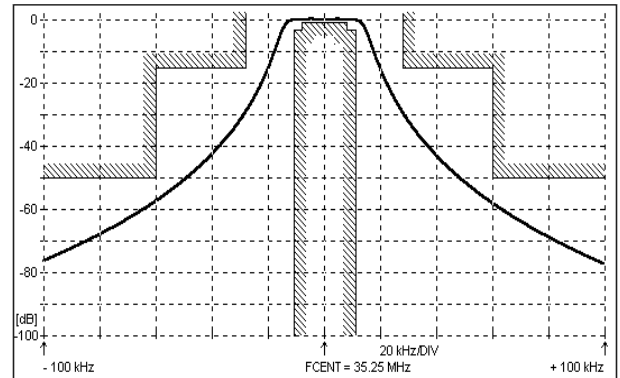
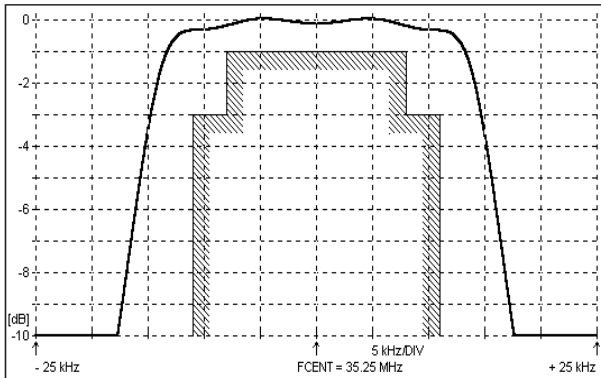
**1. Electric values**

- 1.0 Number of poles: 4
- 1.1 Nominal centre frequency from: 35 250 kHz
- 1.2 Bandwidth between 3 dB frequencies:  $\geq \pm 11.0$  kHz
- 1.3 Ripple at from  $\pm 8$  kHz:  $\leq 1.0$  dB
- 1.4 Insertion loss:  $\leq 4.0$  dB
- 1.5 Stop band: from  $\pm 28$  kHz:  $\geq 15$  dB  
from  $\pm 37$  kHz:  $\geq 30$  dB  
from  $\pm 60$  kHz:  $\geq 50$  dB
- 1.6 Alternate attenuation:  $\geq 65$  dB (except spurious)
- 1.7 Terminating impedance Input and Output : 2400 Ohm // +0.1 pF (TBD)  
Coupling capacitance: 1.7 pF (TBD)
- 1.8 Maximum input power level (working / non-damaged): 0 / +10 dBm
- 1.9 Operating temperature range:  $-40^{\circ}\text{C}$  až  $+85^{\circ}\text{C}$
- 1.10 Case: SMD 7 x 5 mm
- 1.11 Taping 3000 pcs. /reel maximum
- 1.12 Marking on the case : 

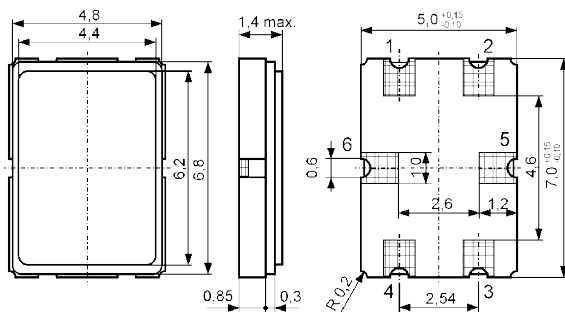
M35.25B3 YYWW
------------------

 YY - year  
WW - week

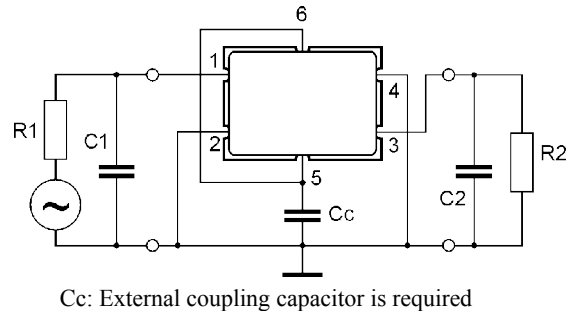
**2. Characteristics MCF 35.25-22/03**



**Dimensions[mm]**



**Measurement Circuit**



Cc: External coupling capacitor is required

edited	23.11.2009	P.Jüngling
--------	------------	------------