

SPECIFICATION FOR CRYSTAL FILTER MCF 50.0-12/28

Number: 92 675
Drawing: 61 9580

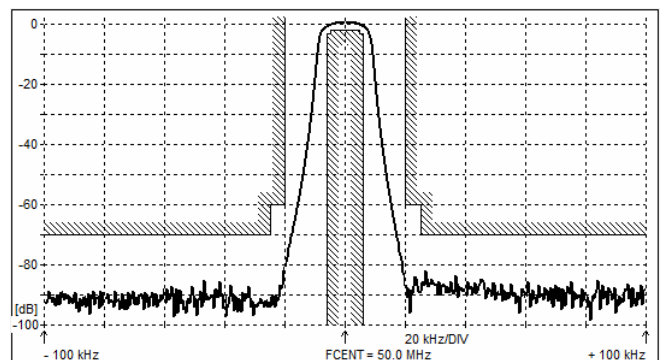
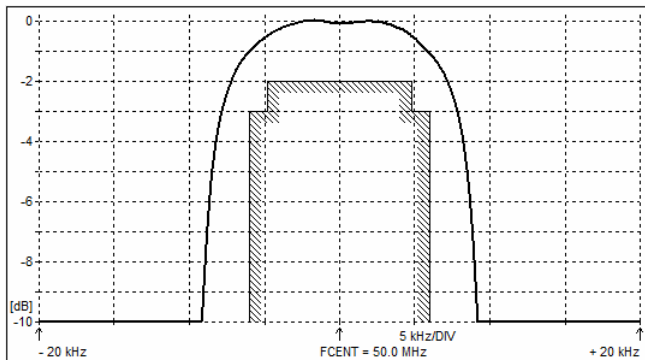
1. Electric values

- 1.0 Number of poles : 8
- 1.1 Nominal centre frequency f_{nom} : 50.0 MHz
- 1.2 Bandwidth between 3 dB frequencies : $\geq \pm 6.0$ kHz
- 1.3 Ripple at $f_{nom} \pm 4.8$ kHz : ≤ 2.0 dB
- 1.4 Insertion loss : ≤ 5.0 dB
- 1.5 Stop band $f_{nom} \pm 20$ kHz : ≥ 60 dB
- 1.6 Ultimate attenuation $f_{nom} \pm 25 \dots \pm 1000$ kHz: ≥ 70 dB (except spurious)
- 1.7 Input power (working / non-damage) : -10 dBm / +5 dBm
- 1.8 Terminating impedance (input and output) : 50 Ohm // 0 pF
- 1.9 Operating temperature range : 0°C to +50°C
- 1.10 Case : KF 17 (38.4 x 18.2 x 13.0 mm)
- 1.11 Marking on the case :

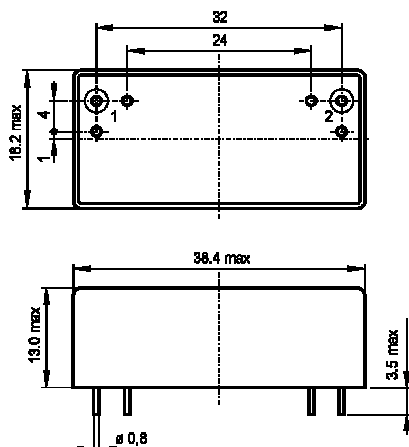
KRYSTALY HK	YYWW
MCF 50.0-12/28	

YY = year
WW = week

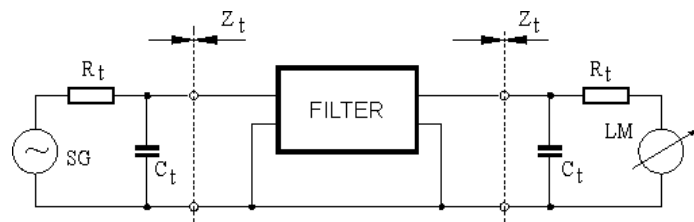
2. Characteristics MCF 50.0-12/28



Dimensions [mm] Case KF-17



Measurement Circuit



edited	31.07.2020	P. Seidl
--------	------------	----------