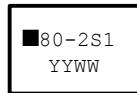


SPECIFICATION FOR CRYSTAL FILTER MCF 80.0-2.0/01 (preliminary specification)

Number: 92 229
Drawing: 64 9513

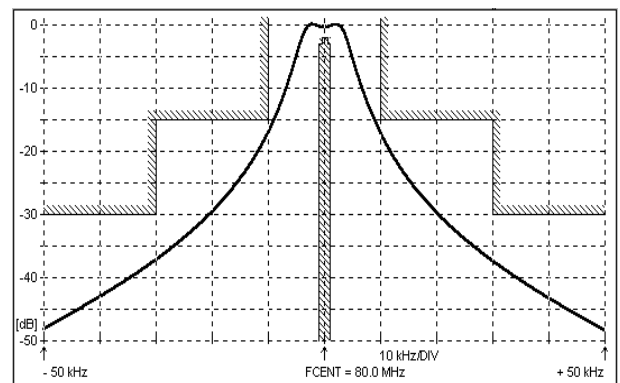
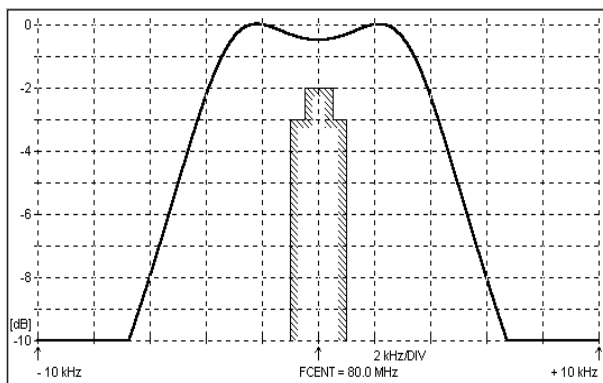
1. Electric values

- 1.0 Number of poles: 2
- 1.1 Nominal center frequency fnom: 80 000 kHz
- 1.2 Bandwidth between 3 dB frequencies: $\geq \pm 1.0$ kHz
- 1.3 Ripple at fnom ± 0.5 kHz: ≤ 2.0 dB
- 1.4 Insertion loss: ≤ 5.0 dB
- 1.5 Stop band:
 - from ± 10 kHz: ≥ 15 dB
 - from ± 30 kHz: ≥ 30 dB
 - from $- 910$ kHz ... -5000 kHz: ≥ 50 dB
- 1.6 Alternate attenuation: ≥ 60 dB (except spurious)
- 1.7 Spurious responses: from $+ 100$ kHz ... $+ 1000$ kHz: ≥ 10 dB (TBD)
- 1.8 Terminating impedance (input and output): 680 Ohm // $+0.2$ pF (TBD)
- 1.9 Maximum input power level (working / non-damaged): $-10 / +10$ dBm
- 1.10 Operating temperature range: 0°C ... $+ 60^{\circ}\text{C}$
- 1.11 Case: SMD 7 x 5 mm
- 1.12 Taping 3000 pcs. /reel maximum
- 1.13 Marking on the case :

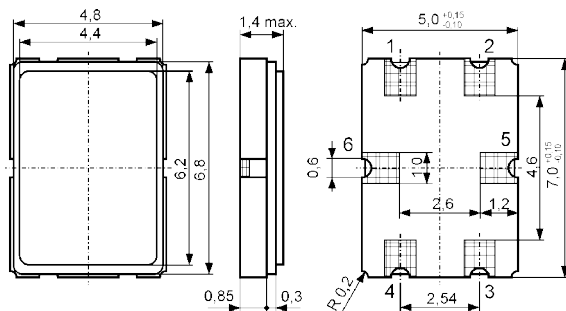


YY - year
WW - week
(or customer's marking)

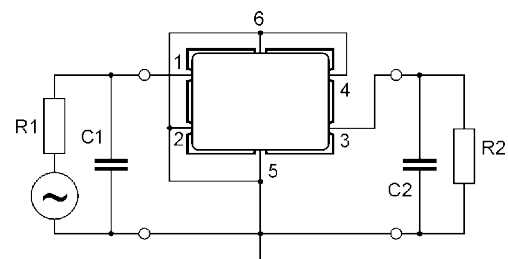
2. Characteristics MCF 80.0-2.0/01



Dimensions[mm]



Measurement Circuit



edited 07.09.2011 P.Jüngling