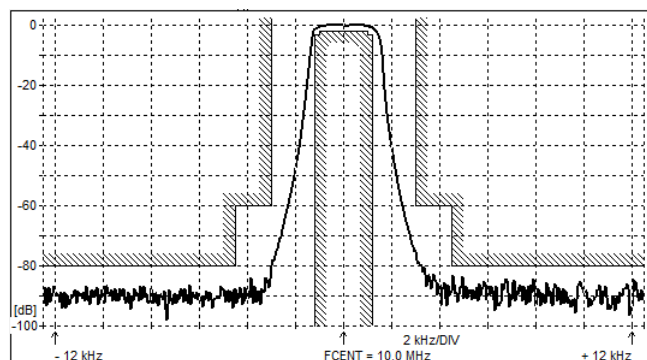
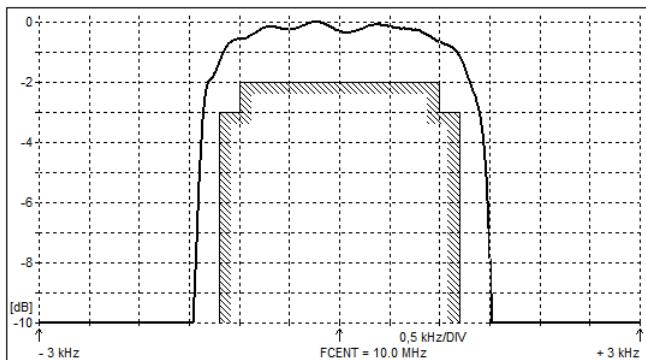
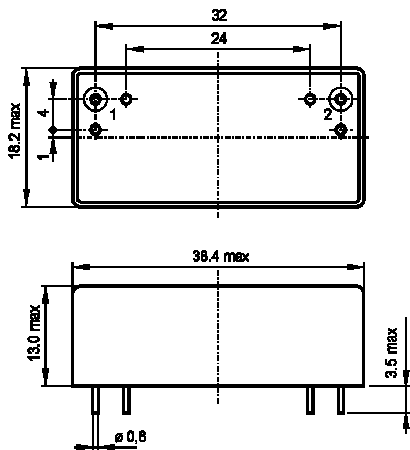
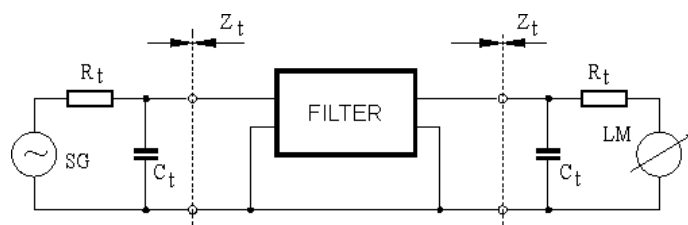
**SPECIFICATION FOR CRYSTAL FILTER**
MCF 10.0-2.4/08Number: 93 129
Drawing: 61 9580**1. Electric values**

- 1.0 Number of poles : 8
- 1.1 Nominal centre frequency f_{nom} : 10.0 MHz
- 1.2 Bandwidth between 3 dB frequencies : $\geq \pm 1.2$ kHz
- 1.3 Ripple at $f_{nom} \pm 1.0$ kHz : ≤ 2.0 dB
- 1.4 Insertion loss : ≤ 5.0 dB
- 1.5 Stop band $f_{nom} \pm 3.0$ kHz : ≥ 60 dB
 $f_{nom} \pm 4.5 \dots \pm 300$ kHz : ≥ 80 dB
- 1.6 Terminating impedance (input and output) : 50 Ohm // 0 pF
- 1.7 Operating temperature range : -20°C to +70°C
- 1.8 Case : KF-17 (38.4 x 18.2 x 13.0 mm)
- 1.9 Marking on the case :

KRYSTALY HK
YYWW
10.0-2.4/08

YY = year
WW = week**2. Characteristics MCF 10.0-2.4/08****Dimensions [mm]**
Case KF-17**Measurement Circuit**

edited 09.10.2023 P. Seidl