

SPECIFICATION FOR CRYSTAL FILTER

MCF 8.248-2.4/10

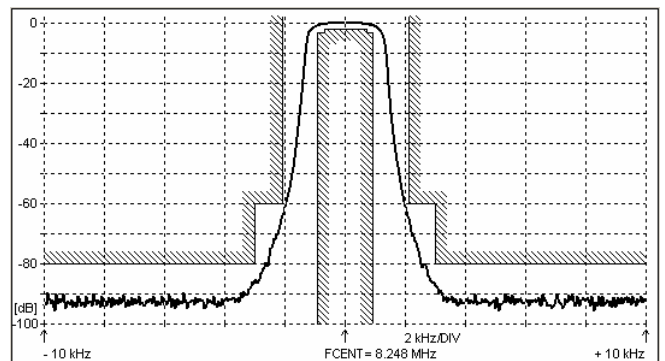
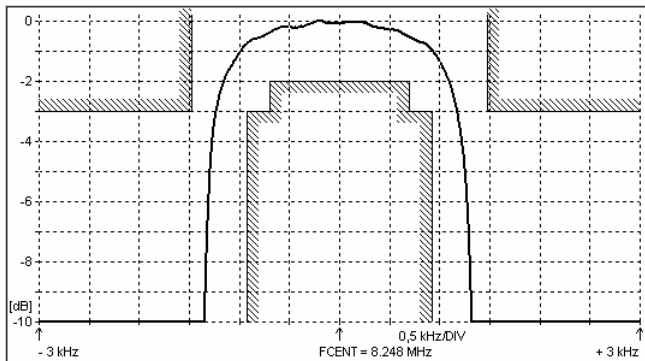
Number: 92 420
Drawing: 61 9580

1. Electric values

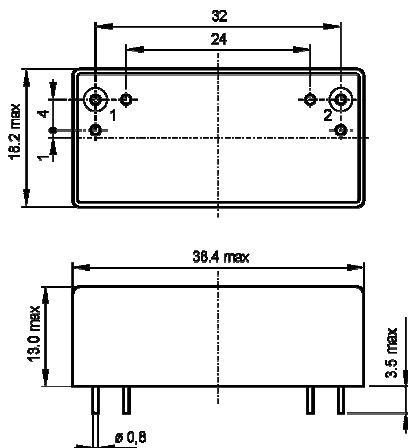
1.0 Number of poles :	10
1.1 Nominal centre frequency f_{nom} :	8.248 MHz
1.2 Centre frequency f_c :	8.248 MHz \pm 150 Hz
1.3 Bandwidth between 3 dB frequencies :	2.4 \pm 0.25 kHz
1.4 Ripple at $f_{nom} \pm 0.7$ kHz :	\leq 2.0 dB
1.5 Insertion loss :	\leq 5.0 dB
1.6 Stop band $f_{nom} \pm 2.1$ kHz :	\geq 60 dB
$f_{nom} \pm 3.0 \dots \pm 1000$ kHz :	\geq 80 dB
1.7 Terminating impedance (input and output) :	50 Ohm // 0 pF
1.8 Operating temperature range :	-20°C to +70°C
1.9 Case :	KF-17 (38.4 x 18.2 x 13.0 mm)
1.10 Marking on the case :	YY = year WW = week

KRYSTALY HK YYWW 8.248-2.4/10

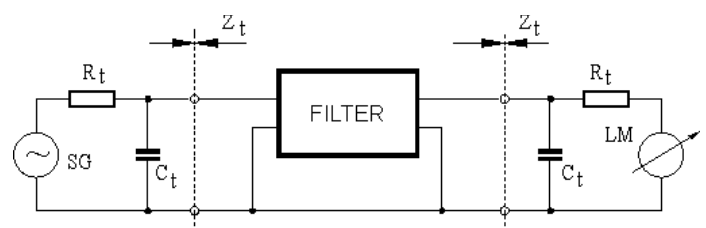
2. Characteristics MCF 8.248-2.4/10



Dimensions [mm] Case KF-17



Measurement Circuit



edited	06.03.2017	P. Seidl
--------	------------	----------