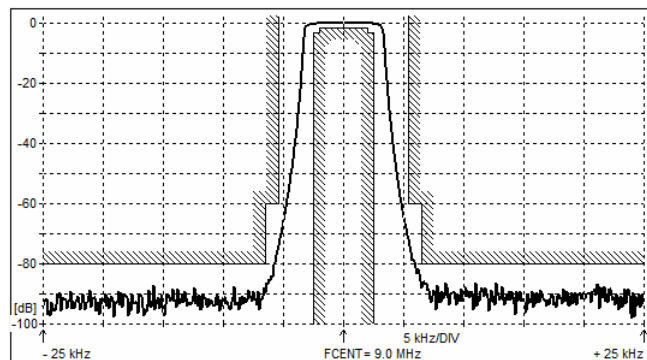
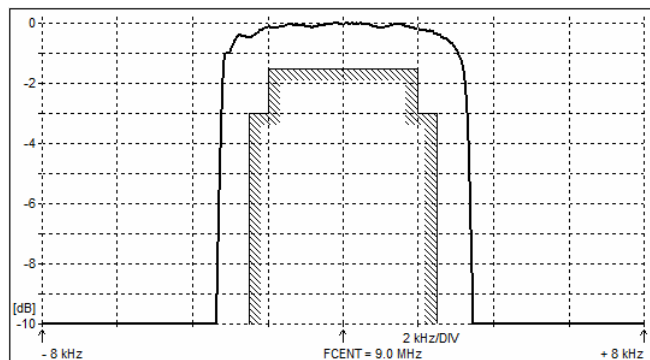
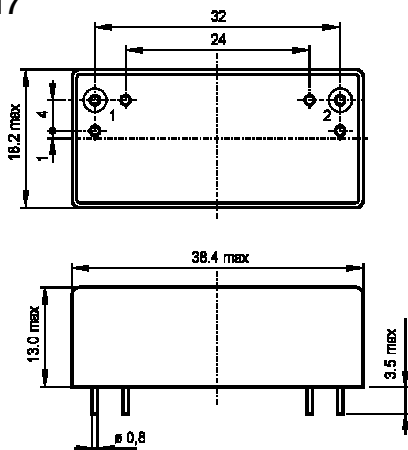
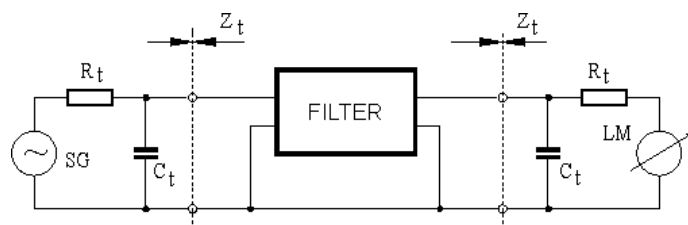


**SPECIFICATION FOR CRYSTAL FILTER**
MCF 9.0-5.0/10Number: 92 781
Drawing: 61 9580**1. Electric values**

- 1.0 Number of poles : 10
- 1.1 Nominal centre frequency f_{nom} : 9.0 MHz
- 1.2 Bandwidth between 3 dB frequencies : $\geq \pm 2.5$ kHz
- 1.3 Ripple at $f_{nom} \pm 2.0$ kHz : ≤ 1.5 dB
- 1.4 Insertion loss : ≤ 5.0 dB
- 1.5 Stop band $f_{nom} \pm 5.4$ kHz : ≥ 60 dB
 $f_{nom} \pm 6.5 \dots \pm 500$ kHz : ≥ 80 dB
- 1.6 Terminating impedance (input and output) : 50 Ohm // 0 pF
- 1.7 Operating temperature range : -20°C to +70°C
- 1.8 Case : KF-17 (38.4 x 18.2 x 13.0 mm)
- 1.9 Marking on the case :

KRYSTALY HK YYWW 9.0-5.0/10

YY = year
WW = week**2. Characteristics MCF 9.0-5.0/10****Dimensions [mm]**
Case KF-17**Measurement Circuit**

edited	25.03.2021	P. Seidl
--------	------------	----------