

# SPECIFICATION FOR CRYSTAL FILTER MCF 100.0-8.0/02

Number: 92 245  
Drawing: 64 9513

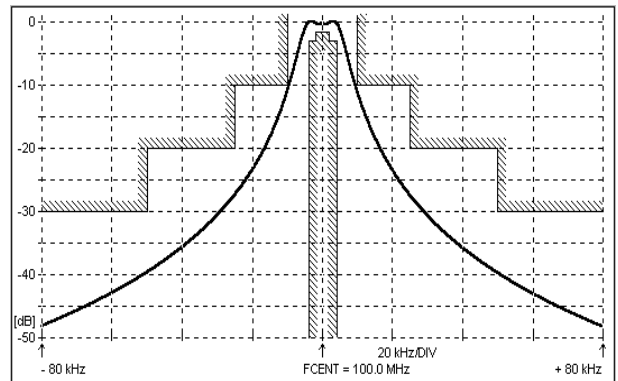
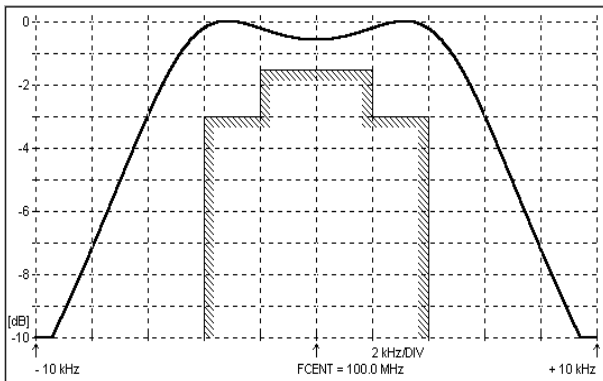
## 1. Electric values

- 1.0 Number of poles: 2
- 1.1 Nominal centre frequency f<sub>nom</sub>: 100 000 kHz ( 3. overtone)
- 1.2 Bandwidth between 3 dB frequencies: ≥± 4.0 kHz
- 1.3 Ripple at f<sub>nom</sub> ± 2.0 kHz: ≤ 1.5 dB
- 1.4 Insertion loss: ≤ 5.0 dB
- 1.5 Stop band: from ± 10 kHz: ( at +25°C ± 5°C ) ≥ 10 dB
- 1.6 Stop band: from ± 25 kHz: ≥ 20 dB  
from ± 50 kHz: ≥ 30 dB  
from - 910 kHz ... -5000 kHz: ≥ 50 dB
- 1.7 Alternate attenuation from ± 1500 kHz: ≥ 50 dB ( except spurious )
- 1.8 Spurious responses: from + 100 kHz ... + 1200 kHz: ≥ 10 dB
- 1.9 Terminating impedance ( input and output ): 500 Ohm // +0.8 pF
- 1.10 Maximum input power level ( working / non-damaged ): -10 / +5 dBm
- 1.11 Operating temperature range: 20°C ... + 70°C
- 1.12 Case: SMD 7 x 5 mm
- 1.13 Taping 3000 pcs. /reel maximum
- 1.14 Marking on the case :

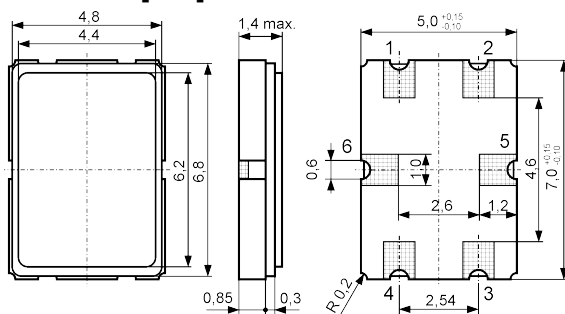


YY - year  
WW - week  
( or customer's marking )

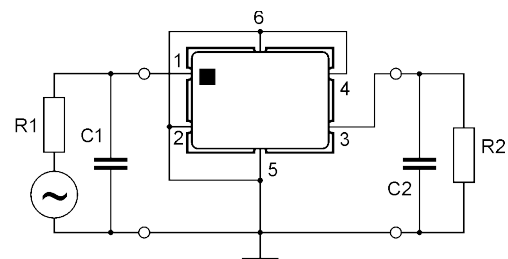
## 2. Characteristics MCF 100.0-8.0/02



## Dimensions[mm]



## Measurement Circuit



edited 16.02.2012 P.Jüngling