



SPECIFICATION FOR CRYSTAL FILTER
MCF 10.7-15/18

Number: 92 206
Drawing: 61 9580

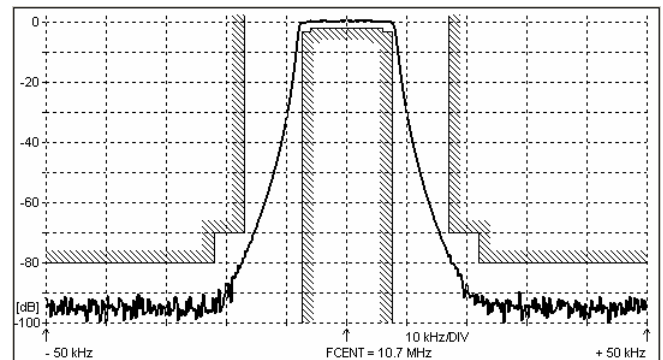
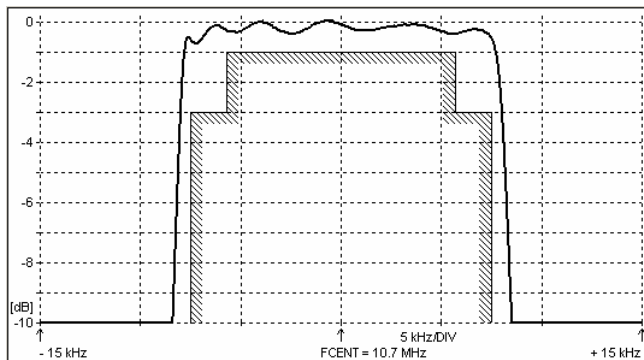
1. Electric values

- 1.0 Number of poles : 8
- 1.1 Nominal centre frequency f_{nom} : 10.7 MHz
- 1.2 Centre frequency f_c : 10.7 MHz \pm 300 Hz
- 1.2 Bandwidth between 3 dB frequencies : $\geq \pm$ 7.5 kHz
- 1.3 Ripple at $f_{nom} \pm 5.7$ kHz : \leq 1.0 dB
- 1.4 Insertion loss : \leq 3.5 dB
- 1.5 Stop band $f_{nom} \pm 17$ kHz : \geq 70 dB
- $f_{nom} \pm 22 \dots \pm 500$ kHz : \geq 80 dB
- 1.7 Terminating impedance (input and output) : 50 Ohm // 0 pF
- 1.8 Operating temperature range : -25°C to +85°C
- 1.9 Case : KF 17 (38.4 x 18.2 x 13.0 mm)
- 1.10 Marking on the case :

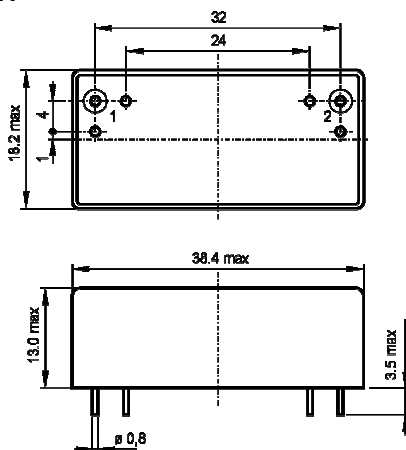
KRYSTALY CZ
YYWW
10.7-15/18

YY = year
WW = week

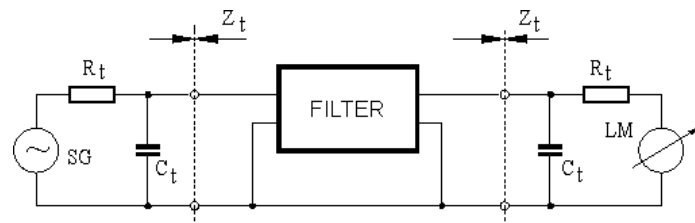
2. Characteristics MCF 10.7-15/18



Dimensions [mm]
Case KF-17



Measurement Circuit



edited 26.08.2011 P. Seidl