



SPECIFICATION FOR CRYSTAL FILTER
MCF 10.7-40/06

Number: 92 093
Drawing: 61 9580

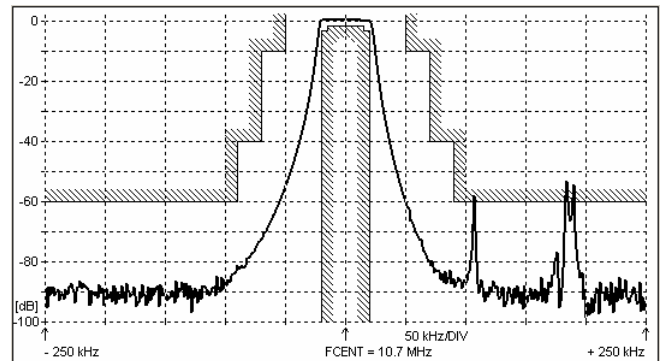
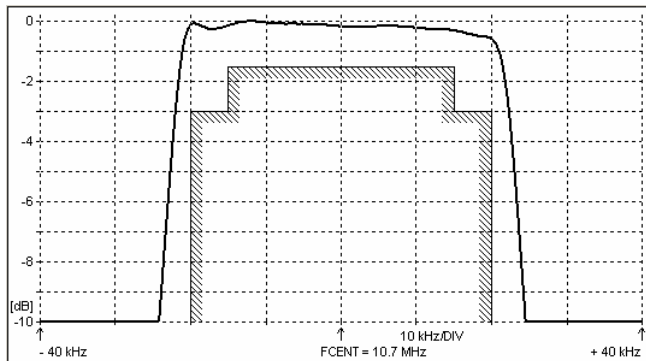
1. Electric values

- 1.0 Number of poles : 6
- 1.1 Nominal centre frequency f_{nom} : 10.7 MHz
- 1.2 Bandwidth between 3 dB frequencies : $\geq \pm 20$ kHz
- 1.3 Ripple at $f_{nom} \pm 15$ kHz : ≤ 1.5 dB
- 1.4 Insertion loss : ≤ 6.0 dB
- 1.5 Stop band $f_{nom} \pm 50$ kHz : ≥ 10 dB
- $f_{nom} \pm 70$ kHz : ≥ 40 dB
- $f_{nom} \pm 90 \dots \pm 300$ kHz : ≥ 60 dB
- 1.6 Spurious in the range $f_{nom} \pm 70 \dots \pm 300$ kHz : ≥ 35 dB
- 1.7 Terminating impedance (input and output) : 900 Ohm // 25 pF
- 1.8 Operating temperature range : -40°C to +70°C
- 1.9 Case : KF 17 (38.4 x 18.2 x 13.0 mm)
- 1.10 Marking on the case :

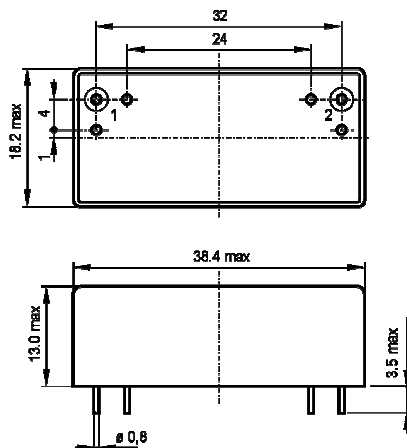
KRYSTALY CZ YYWW
MCF 10.7-40/06

YY = year
WW = week

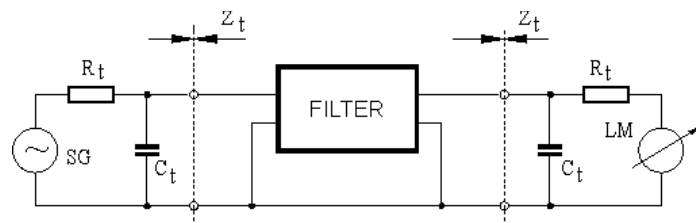
2. Characteristics MCF 10.7-40/06



Dimensions [mm]
Case KF-17



Measurement Circuit



edited	22.09.2011	P. Seidl
--------	------------	----------