

# SPECIFICATION FOR CRYSTAL FILTER KF 21.4-120/06V4

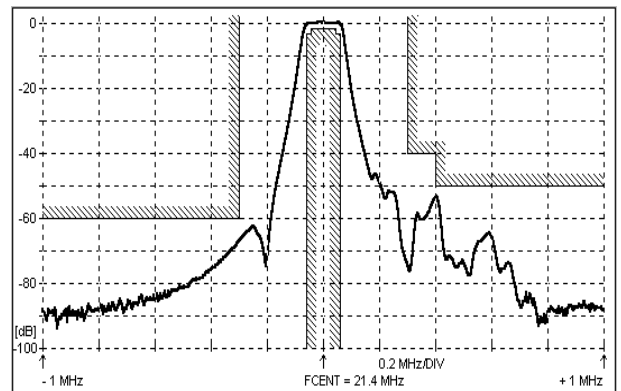
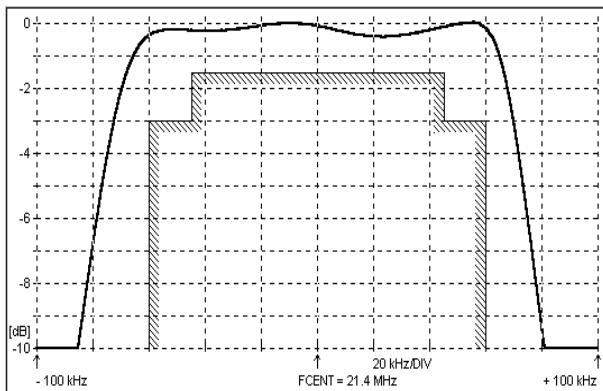
Number: 92 nnn  
Drawing: 61 9580

## 1. Electric values

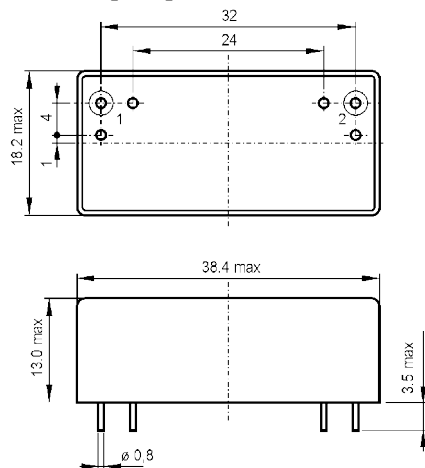
- 1.0 Number of poles: 6
- 1.1 Nominal centre frequency f<sub>nom</sub>: 21 400 kHz
- 1.2 Bandwidth between 3 dB frequencies: > ± 60 kHz
- 1.3 Ripple at f<sub>nom</sub> ± 45 kHz: ≤ 1.5 dB
- 1.4 Insertion loss: ≤ 9.0 dB
- 1.5 Stop band:
  - f<sub>nom</sub> - 300 kHz: ≥ 60 dB
  - f<sub>nom</sub> + 300 kHz: ≥ 40 dB
  - f<sub>nom</sub> ± 400 kHz: ≥ 50 dB
- 1.6 Alternate attenuation: ≥ 60 dB
- 1.7 Spurious responses at f<sub>nom</sub> + 400 kHz .... + 5 MHz: > 50 dB
- 1.8 Terminating impedance ( input and output ): 50 Ohm // 0 pF
- 1.9 Outband intermodulation
  - Frequency 1, 2 : f<sub>nom</sub> ± 200 kHz , f<sub>nom</sub> ± 400 kHz
  - Input power level: 0 dBm
  - Intermodulation (IP3 > +31 dBm) > 62 dB down from both 0 dBm tones
- 1.10 Operating temperature range: - 20°C až + 70°C
- 1.11 Case: KF 17 ( 38.4 x 18.2 x 13.0 mm )
- 1.12 Marking on the case :
 

KRYSTALY YYWW  
 KF 21.4-120/06V4

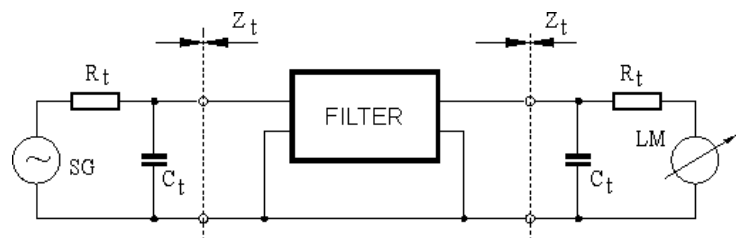
## 2. Characteristics KF 21.4-120/06V4



## Dimensions[mm]



## Measurement Circuit



edited 27.08.2012 P.Jüngling