

SPECIFICATION FOR CRYSTAL FILTER
MCF 64.455-15/04 (preliminary specification)

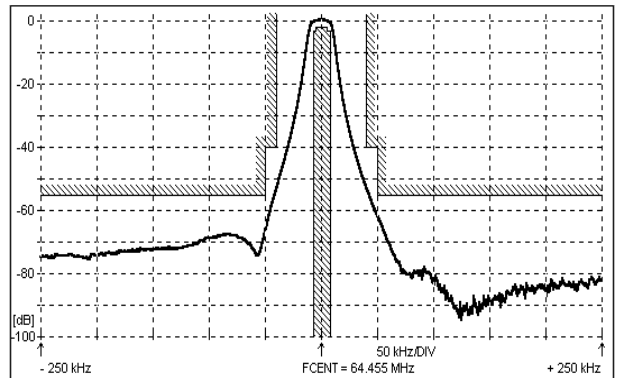
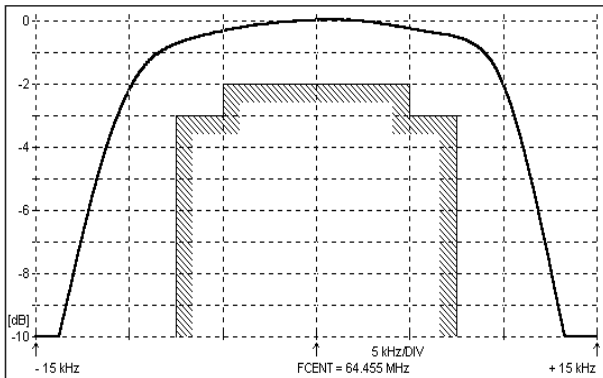
Number: 92 114
Drawing: 64 9513

1. Electric values

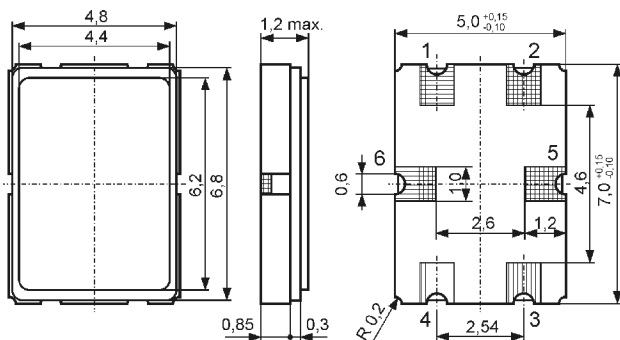
1.0 Number of poles:	4
1.1 Nominal centre frequency from:	64 455 kHz
1.2 Bandwidth between 3 dB frequencies:	$\geq \pm 7.5$ kHz
1.3 Ripple at from ± 5 kHz:	≤ 2.0 dB
1.4 Insertion loss:	≤ 6.0 dB
1.5 Stop band: ffrom ± 40 kHz:	≥ 40 dB
ffrom ± 50 kHz:	≥ 55 dB
1.6 Spurious responses: ffrom + 100 kHz ... + 1000 kHz:	≥ 30 dB
1.7 Alternate attenuation: ffrom - 910 kHz:	≥ 75 dB
1.8 Terminating impedance Input and Output :	350 Ohm // 3.5 pF (TBD)
Coupling capacitance:	12.0 pF (TBD)
1.9 Maximum input power level (working / non-damaged):	0 / +10 dBm
1.10 Intermodulation (-20 dBm, ffrom $\pm 50, \pm 100$ kHz)	≥ 85 dB
1.11 Operating temperature range:	- 20°C až + 70°C
1.12 Case:	SMD 7 x 5 mm
1.13 Taping 3000 pcs. /reel maximum	
1.14 Marking on the case :	YY - year WW - week

M64.455 -15/04 YYWW

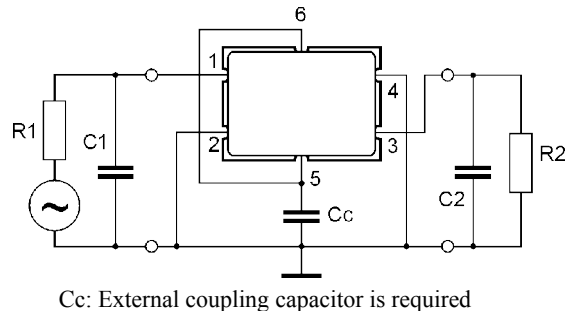
2. Characteristics MCF 64.455-15/04



Dimensions[mm]



Measurement Circuit



Cc: External coupling capacitor is required

edited	25.03.2010	P.Jüngling
--------	------------	------------