

SPECIFICATION FOR CRYSTAL FILTER MCF 75.0-22/24

Number: 92 608
Drawing: 71 0068

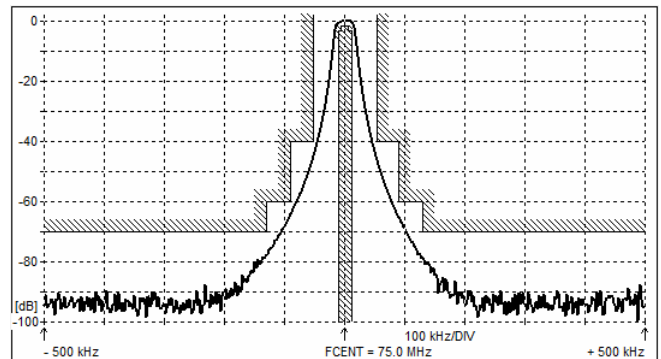
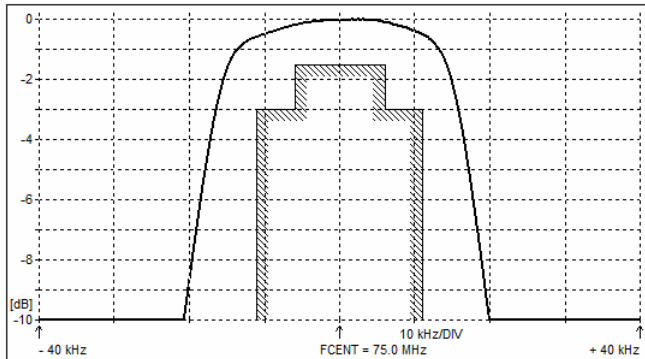
1. Electric values

- 1.0 Number of poles : 4 (fundamental mode)
- 1.1 Nominal centre frequency f_{nom} : 75.0 MHz
- 1.2 Bandwidth between 3 dB frequencies : $\geq \pm 11.0$ kHz
- 1.3 Ripple at $f_{nom} \pm 6.0$ kHz : ≤ 1.5 dB
- 1.4 Insertion loss : ≤ 5.5 dB
- 1.5 Stop band $f_{nom} \pm 53 \dots \pm 90$ kHz : ≥ 40 dB
- $f_{nom} \pm 90 \dots \pm 130$ kHz : ≥ 60 dB
- $f_{nom} \pm 130 \dots \pm 250$ kHz : ≥ 70 dB
- 1.6 Guaranteed attenuation $f_{nom} \pm 250 \dots \pm 1000$ kHz : ≥ 80 dB
- 1.7 Spurious $f_{nom} \pm 250 \dots \pm 1000$ kHz : ≥ 55 dB
- 1.8 Terminating impedance input - output : $50 \Omega // 0 \text{ pF} - 1000 \Omega // 20 \text{ pF}$
- 1.9 Maximum input power level working / non-damaged : $-10 / 0$ dBm
- 1.10 Operating temperature range : -55°C to $+85^\circ\text{C}$
- 1.11 Case : KF 17.8 (38.4 x 18.2 x 8.0 mm)
- 1.12 Marking on the case :

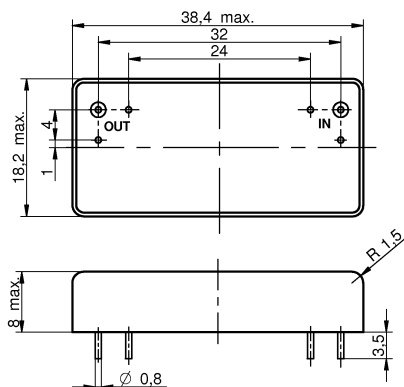
KHK YYWW
Semisvit
75M000A

YY = year
WW = week

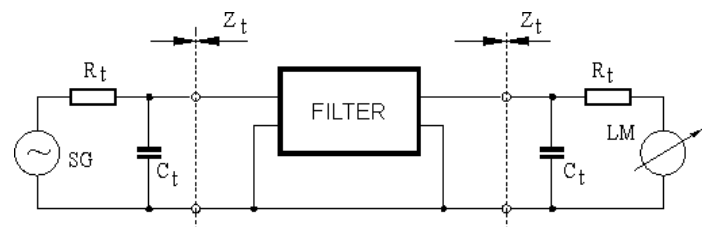
2. Characteristics MCF 75.0-22/24



Dimensions [mm] Case KF 17.8



Measurement Circuit



edited 11.07.2019 RD Krystaly