

Front-end crystal filters

KF 1xx.xxx-25/A41

118 MHz to 142 MHz

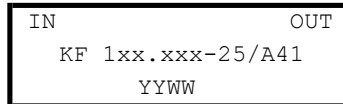
Number: 92 010

Drawing: 71 0099

1. Electric values

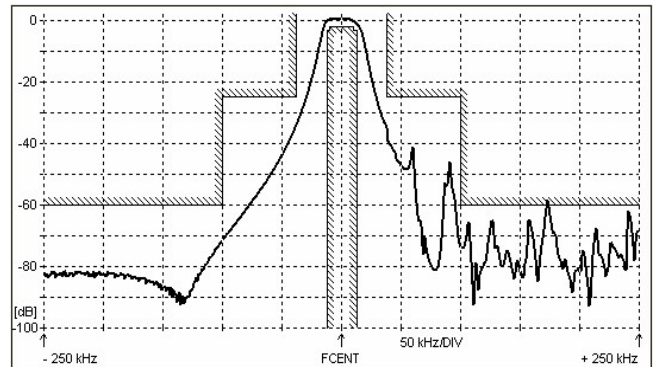
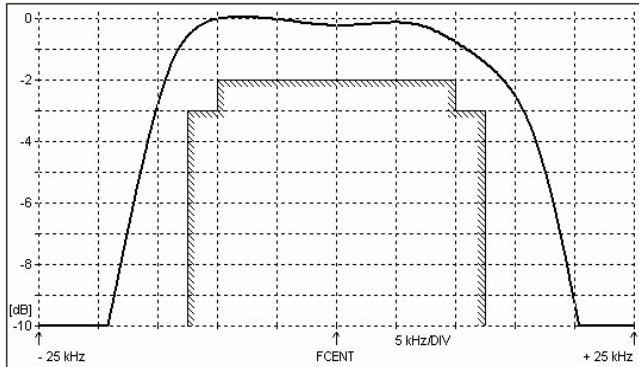
- 1.0 Number of poles: 4
- 1.1 Nominal centre frequency f_{nom}: 118 000 ... 142 000 kHz (5 overtone)
- 1.2 Bandwidth between 3 dB frequencies: >± 12,500 kHz
- 1.3 Ripple (f_{nom} ± 10,0 kHz): < 2,0 dB
- 1.4 Insertion loss: < 7,0 dB
- 1.5 Stop band:
 - f_{nom} ± 38,0 kHz: ≥ 25 dB
 - f_{nom} ± 100 kHz ... ± 5 MHz : ≥ 60 dB
- 1.6 Spurious response: ≥ 25 dB
- 1.7 Terminating impedance: 50 Ohm // 0 pF
- 1.8 Maximum input power level (working / non-damaged): -10 / +10 dBm
- 1.9 Operating temperature range: -10°C ... + 60°C
- Operable temperature range: -20°C ... + 80°C
- Storage temperature range: -40°C ... + 90°C
- 1.10 Case: KA 41 (with N male/female) 61.1 x 26.8 x 27.3 mm

1.11 Marking on the case :

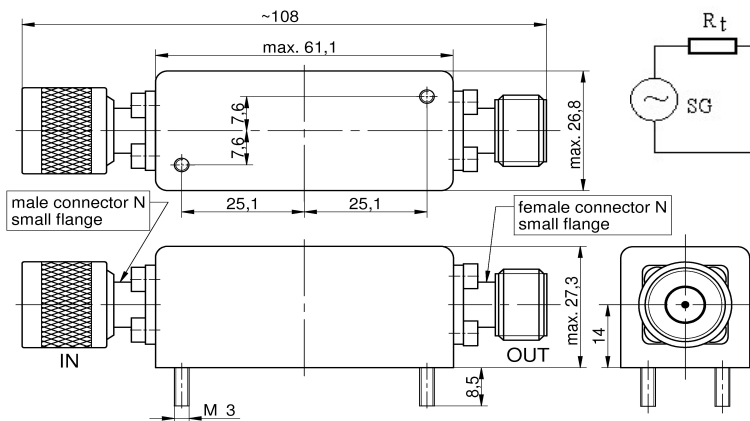


YY - year
WW – week (or customer's marking)

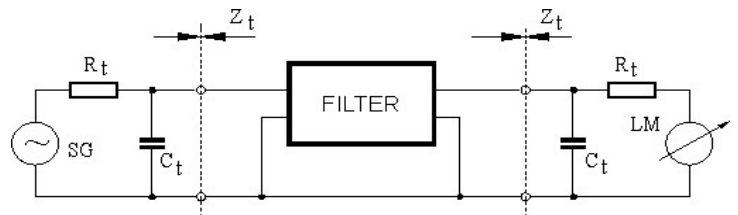
2. Characteristics



Dimensions KA41 [mm]



Measurement Circuit



edited | 17.10.2017 | P.Jungling