

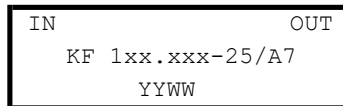
Fron-end crystal filters
KF 118 MHz ... 142 MHz-25/A7

Number: 99 011
Drawing: 71 0201

1. Electric values

- | | | |
|------|--|---------------------------------------|
| 1.0 | Number of poles: | 4 |
| 1.1 | Nominal centre frequency f _{nom} : | 118 000 ... 142 000 kHz (5 overtone) |
| 1.2 | Bandwidth between 3 dB frequencies: | >± 12,5 kHz |
| 1.3 | Ripple (f _{nom} ± 10,0 kHz): | < 1,0 dB |
| 1.4 | Insertion loss: | < 6,0 dB |
| 1.5 | Stop band: | from ±: 25 kHz: ≥ 10 dB |
| | | from ±: 50 kHz ... ± 5 MHz: ≥ 30 dB |
| 1.6 | Ultimate attenuation: from f _{nom} ±3.0% to f _{nom} ±43 MHz: | ≥ 65 dB |
| 1.7 | Spurious response: | ≥ 30 dB |
| 1.8 | Terminating impedance: | 50 Ohm // 0 pF |
| 1.9 | Maximum input power level (non-damaged): | +30 dBm for 100 ms |
| | Continuous input power: | +5 dBm |
| 1.10 | Operating temperature range: | -20°C ... + 60°C |
| | Operable temperature range: | -20°C ... + 80°C |
| | Storage temperature range: | -40°C ... + 90°C |
| 1.11 | Case: | KA 7 (with SMB-male 60 x 25 x 20 mm) |

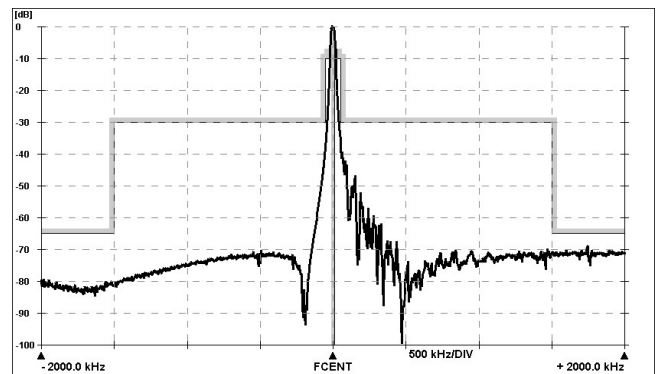
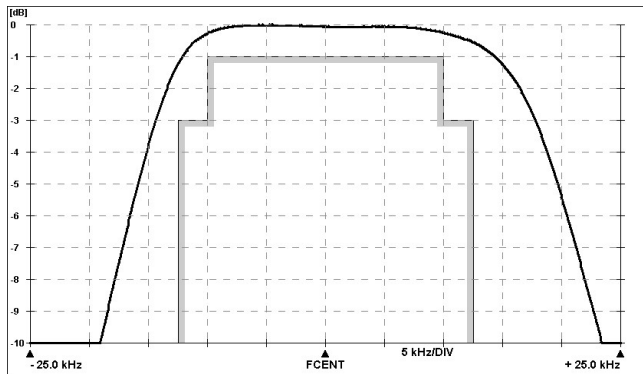
1.12 Marking on the case :



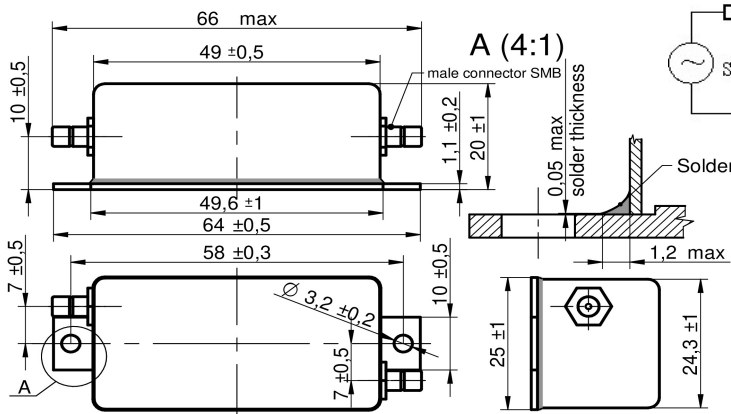
YY - year
WW – week (or customer's marking)

2. Characteristics

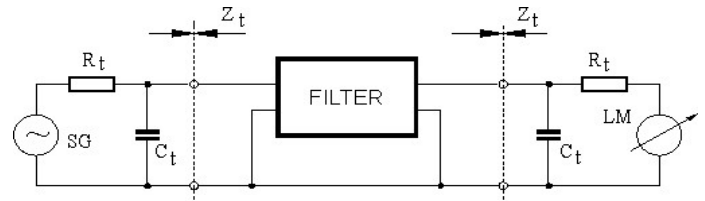
KF 118 MHz ... 142 MHz-25/A7



Dimensions KA7
[mm]



Measurement Circuit



edited 24.08.2021 P.Jungling