

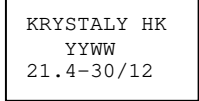


# SPECIFICATION FOR CRYSTAL FILTER MCF 21.4-30/12

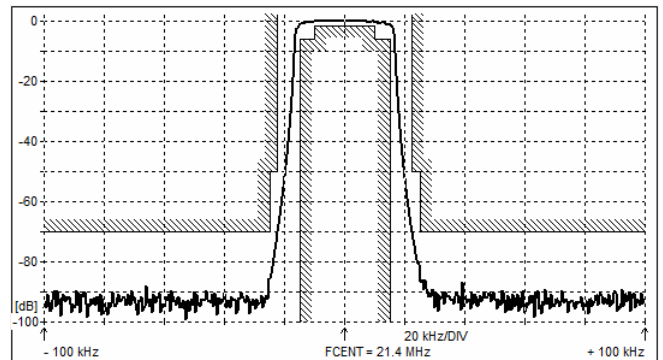
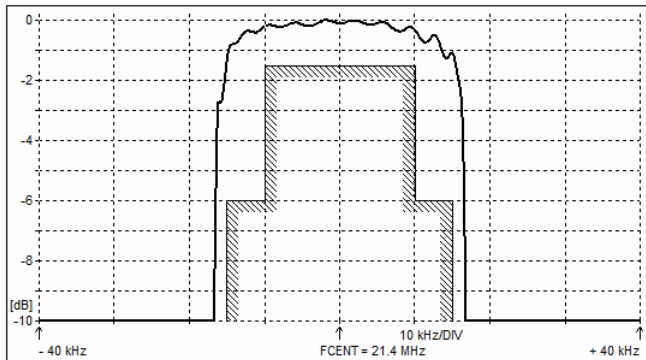
Number: 93 164  
Drawing: 61 9580

## 1. Electric values

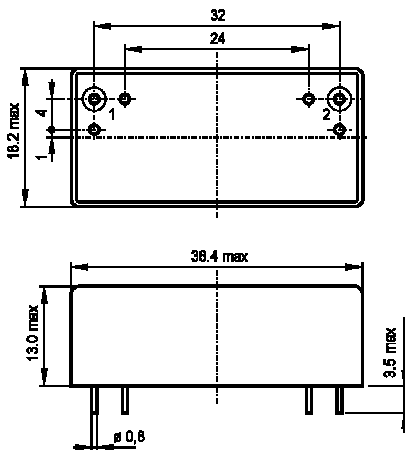
1.0 Number of poles :	12
1.1 Nominal center frequency $f_{nom}$ :	21.4 MHz
1.2 Bandwidth between 6 dB frequencies :	$\geq \pm 15$ kHz
1.3 Ripple at $f_{nom} \pm 10.0$ kHz :	$\leq 1.5$ dB
1.4 Insertion loss :	$\leq 4.0$ dB
1.5 Stop band $f_{nom} \pm 22.5$ kHz :	$\geq 50$ dB
$f_{nom} \pm 25 \dots \pm 1000$ kHz :	$\geq 70$ dB
1.6 Terminating impedance ( input and output ) :	50 Ohm // 0 pF
1.7 Operating temperature range :	-20°C to +70°C
1.8 Case :	KF 17 (38.4 x 18.2 x 13.0 mm)
1.9 Marking on the case :	YY = year WW = week



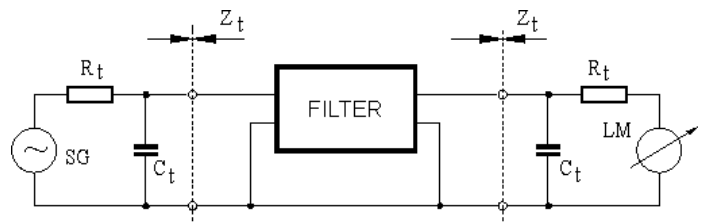
## 2. Characteristics MCF 21.4-30/12



### Dimensions [mm] Case KF-17



### Measurement Circuit



edited | 23.02.2024 | P. Seidl